

raiël

2017



catalogue volume 8



EXCITE | INSPIRE | REWARD

HANDLES & KNOBS


HANDLES & KNOBS
page 02 - 19

FRANKE - SINKS AND MIXERS

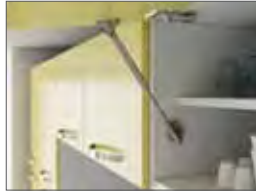

KITCHEN SINKS
page 20 - 24, 26



MIXERS
page 25

ITALIANA FERRAMENTA - LIFT SYSTEMS AND FIXING HARDWARE


K12 GAS STAY UP
page 27 - 28



KRABY GAS STAY UP
page 28 - 30



LINK SYSTEM
page 30 - 31



KIMANA HINGES
page 31 - 32



PUSH CATCHES
page 32 - 33



K LOCK MAGNETIC CATCHER
page 33 - 34



WOOD & GLASS SHELF
SUPPORTS & FASTENERS
page 34 - 36



RECORD 12 LEVELLER
page 36



KALABRONE SHELF
SUPPORTS
page 37



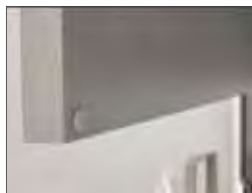
CAMAR HEAVY DUTY SHELF
SUPPORTS
page 38 - 39



TRIADE HEAVY DUTY
SHELF SUPPORTS
page 40



CONCEALED HANGER
page 41



BI-MATERIAL DOOR BUMPER
page 41



LIBRA H1, H7 & LIBRA CH
HANGERS
page 42 - 46



VIS CONNECTINGS
page 47

FERRARI - HINGES

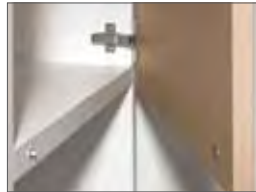

SLIDE ON HINGES
page 49



CLIP ON HINGES
page 50



SOFT CLOSING HINGES
page 51



MAGNETIC PUSH TO OPEN
page 52

UTA - HINGES & DRAWER RUNNERS


STANDARD & SOFT CLOSING
page 53



DRAWER RUNNERS &
BALL BEARINGS
page 54



CONCEALED SLIDES
page 55



METABOX RUNNERS
page 56



DOUBLE WALL & SLIM WALL
SOFT CLOSING SLIDES
page 56 - 60

DETAILED SPECIFICATIONS, TECHNICAL & INSTALLATION INFORMATION ARE AVAILABLE AT WWW.RAIEL.COM OR ON CD.

THE INFORMATION AND DATA SUPPLIED IN THIS CATALOGUE IS BASED ON INFORMATION BELIEVED TO BE RELIABLE, HOWEVER IT IS NOT BINDING AND INACCURACIES MAY OCCUR. RAIEL (PTY)LTD RESERVES THE RIGHT TO CHANGE SPECIFICATIONS AND DESIGN AT ANY TIME WITHOUT NOTICE.



raiël



HANDLES & KNOBS

ITEM 194 | ISETTA HANDLE
 MATERIAL | ZINC
 SIZE ↔-----↔ | 64MM | RIH1661
 | 128MM | RIH1662
 | 224MM | RIH1663



105
polished
nickel



ITEM 195 | BEETLE KNOB
 MATERIAL | ZINC
 SIZE Ø | 38/26MM | RIH1664



105
polished
nickel



ITEM 788 | **BARRETT HANDLE**
 MATERIAL | ALUMINIUM
 SIZE ↔-----↔ | 130MM | RAH007
 | 320MM | RAH009



103
brushed
nickel



ITEM 928 | **JOFFREY HANDLE**
 MATERIAL | ALUMINIUM
 SIZE ↔-----↔ | 160MM | RAH079 | RAH080
 | 256MM | RAH081 | RAH082 | RAH084
 | 384MM | | RAH083
 | 608MM | RAH085 | RAH086
 | 1084MM | | RAH087



101
natural
anodised



105
polished
nickel



1004
matt
black



ITEM 1018 | **GALANDO HANDLE**
 MATERIAL | ALUMINIUM
 SIZE ↔-----↔ | 128MM | RAH099
 | 192MM | RAH100
 | 256MM | RAH101
 | 384MM | RAH102

ITEM 1019 | **GALANDO KNOB**
 MATERIAL | ALUMINIUM
 SIZE | 32 X 32MM | RAK058



105
polished
nickel



ITEM 982 | **CAROLINE HANDLE**
 MATERIAL | ZINC
 SIZE ↔-----↔ | 128MM | RAH090
 | 192MM | RAH091
 | 320MM | RAH126

ITEM 993 | **CAROLINE KNOB**
 MATERIAL | ZINC
 SIZE | 60MM | RAK032



105
polished
nickel





ITEM 901 | ATLANTA HANDLE
 MATERIAL | ALUMINIUM
 SIZE ↔-----↔ | 160MM | RAH037 | RAH036
 | 256MM | RAH038
 | 384MM | RAH039
 | 608MM | RAH040
 | 1084MM | RAH041

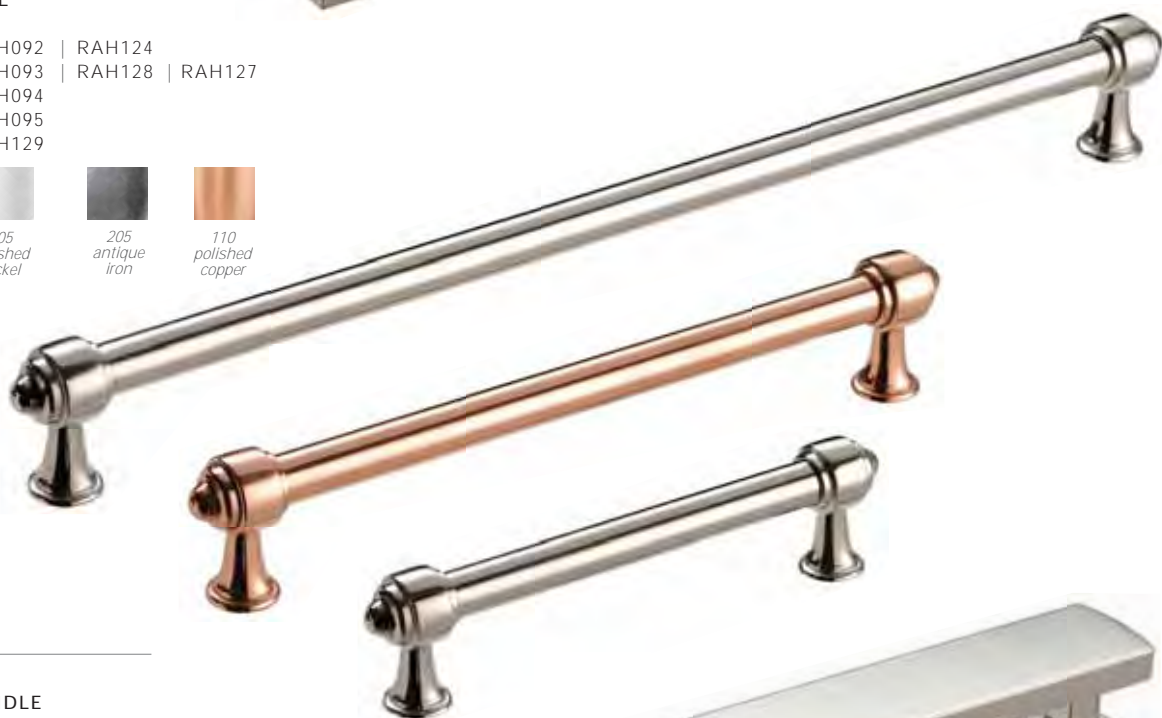


ITEM 901 | ATLANTA KNOB
 SIZE Ø | 45MM | RAK056 | RAK057

 105 polished nickel
 205 antique iron

ITEM 1003 | SASKIA HANDLE
 MATERIAL | ALUMINIUM
 SIZE ↔-----↔ | 128MM | RAH092 | RAH124
 | 192MM | RAH093 | RAH128 | RAH127
 | 320MM | RAH094
 | 608MM | RAH095
 | 1084MM | RAH129


 105 polished nickel
 205 antique iron
 110 polished copper



ITEM 1014 | KAMMANO HANDLE
 MATERIAL | ALUMINIUM
 SIZE ↔-----↔ | 160MM | RAH096
 | 256MM | RAH097
 | 384MM | RAH021

ITEM 1017 | KAMMANO KNOB
 MATERIAL | ALUMINIUM
 SIZE | 30 X 30MM | RAK059



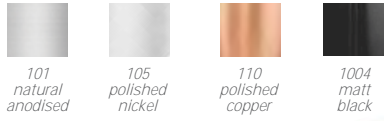
 105 polished nickel



ITEM 913 | ENZO HANDLE

MATERIAL | ALUMINIUM

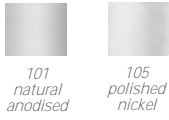
SIZE ↔-----↔	96MM	RAH047	RAH050	RAH048	RAH049
	160MM	RAH051	RAH052	RAH053	RAH054
	256MM	RAH055	RAH056	RAH057	RAH058
	320MM	RAH059	RAH060	RAH061	RAH062



ITEM 915 | ZION HANDLE

MATERIAL | ALUMINIUM

SIZE ↔-----↔	96MM	RAH063	RAH066
	160MM	RAH067	RAH068
	256MM	RAH071	RAH072
	320MM	RAH075	RAH076



ITEM 645 | BOHDAN HANDLE

MATERIAL | ZINC

SIZE ↔-----↔	128/160MM	RIH2198	RIH2197
	288/320MM	RIH2199	





ITEM 839 | **ANGELINE C HANDLE**
 MATERIAL | ALUMINIUM
 SIZE ↔-----↔ | 192MM | RAH019 | RAH020
 | 320MM | RAH125 | RAH022



101
*natural
 anodised*



103
*brushed
 nickel*



ITEM 837 | **ANGELO HANDLE**
 MATERIAL | ALUMINIUM
 SIZE ↔-----↔ | 192MM | RAH015 | RAH016
 | 320MM | RAH017 | RAH018



101
*natural
 anodised*



103
*brushed
 nickel*





ITEM 840 | **JASMINE HANDLE**
 MATERIAL | ALUMINIUM
 SIZE ↕-----↕ | 192MM | RAH023



103
brushed
nickel



ITEM 617 | **ERIN HANDLE**
 MATERIAL | ZINC
 SIZE ↕-----↕ | 160MM | RIH2183



104
chrome



ITEM 649 | **SINGH HANDLE**
 MATERIAL | ZINC
 SIZE ↕-----↕ | 192MM | RIH2202
 320MM | RIH2204



205
antique
iron



ITEM 649 | **SISTO HANDLE**
 MATERIAL | ZINC
 SIZE | 192MM | RIH2205



104
chrome

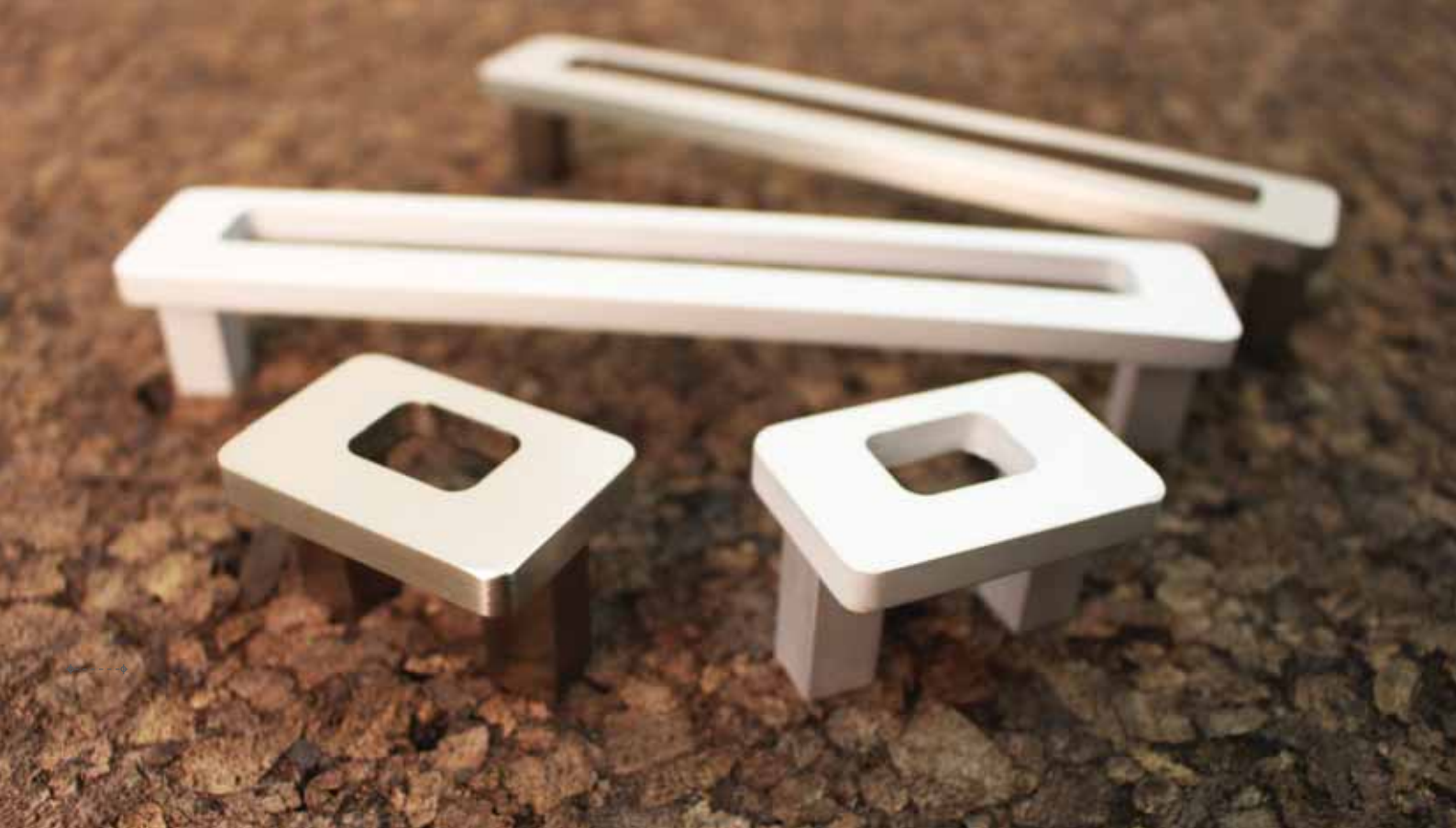


ITEM 648 | **JIRO HANDLE**
 MATERIAL | ZINC
 SIZE ↕-----↕ | 192/224MM | RIH2200



104
chrome





ITEM 937 | **VIOLET HANDLE**
 MATERIAL | ALUMINIUM
 SIZE ϕ ----- ϕ | 160MM | RAH088 | RAH089

ITEM 938 | **VIOLET KNOB**
 MATERIAL | ALUMINIUM
 SIZE ϕ ----- ϕ | 32MM | RAK030 | RAK031



101
natural
anodised



103
brushed
nickel



ITEM 632 | **AVA HANDLE**
 MATERIAL | ZINC
 SIZE ϕ ----- ϕ | 160MM | RIH2184



103
brushed
nickel



ITEM 499 | **LARGE FAT RING HANDLE WITH LARGE BACKPLATE**
 MATERIAL | ZINC
 SIZE ϕ | 58MM | RAK047

ITEM 497 | **LARGE THIN RING HANDLE WITH LARGE BACKPLATE**
 MATERIAL | ZINC
 SIZE ϕ | 55MM | RAK048



105
polished
nickel



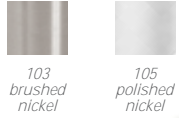


ITEM 795 | **8MM D-HANDLE**
 MATERIAL | ALUMINIUM
 SIZE ↔-----↔ | 96MM | RAH010 | RAH011
 | 192MM | RAH013 | RAH014

ITEM 813 | **Ø8MM D-HANDLE WITH BASE**
 SIZE | 96MM | RAH012



ITEM 868 | **FALCON HANDLE**
 MATERIAL | ALUMINIUM
 SIZE ↔-----↔ | 128MM | RAH030 | RAH033
 | 192MM | RAH032 | RAH031
 | 320MM | RAH035 | RAH034



ITEM 463 | **ANGLE GRIP**
 MATERIAL | ALUMINIUM
 SIZE ↔-----↔ | 128MM | RAH130
 | 288MM | RAH131





ITEM 893 | **HENDRIX ROUND KNOB**
 MATERIAL | ALUMINIUM
 SIZE Ø | 34,5MM | RAK008 | RAK009



ITEM 892 | **HENDRIX SQUARE KNOB**
 MATERIAL | ALUMINIUM
 SIZE Ø | 34,5MM | RAK007



ITEM 1004 | **BEE KNOB**
 MATERIAL | ALUMINIUM
 SIZE Ø | 32,8MM | RAK034 | RAK036 | RAK035



ITEM 891 | **BELLA KNOB**
 MATERIAL | ZINC
 SIZE Ø | 32 X 35MM | RAK046





ITEM 891 | **ROCCO KNOB**
 MATERIAL | ZINC
 SIZE Ø | 34,5MM | RAK005 | RAK004 | RAK006



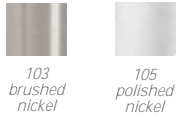
ITEM 894 | **BEATRIX KNOB**
 MATERIAL | ALUMINIUM
 SIZE Ø | 35,5MM | RAK012 | RAK011 | RAK013



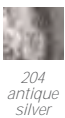
ITEM 877 | **GEZELLA KNOB**
 MATERIAL | ALUMINIUM
 SIZE Ø | 32MM | RAK002 | RAK001 | RAK003



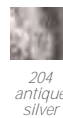
ITEM 896 | **CHARLOTTE KNOB**
 MATERIAL | ALUMINIUM
 SIZE Ø | 32MM | RAK019 | RAK018



ITEM 641 | **DORE KNOB**
 MATERIAL | ZINC
 SIZE Ø | 38MM
 RIH2193



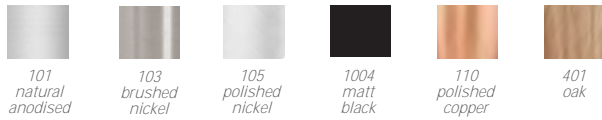
ITEM 638 | **NEVAD KNOB**
 MATERIAL | ZINC
 SIZE Ø | 35MM
 RIH2190





ITEM 1008 | **ASHLEIGH SMALL KNOB**
 MATERIAL | ZINC AND WOOD
 SIZE Ø | 32.5MM | RAK037 | RAK039 | RAK038 | RAK053 | RAK052 | RWK021

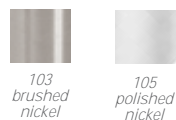
ITEM 1012 | **ASHLEIGH BIG KNOB**
 MATERIAL | ZINC
 SIZE Ø | 48.5MM | RAK040 | RAK042 | RAK041 | RAK055 | RAK054 | RWK022



ITEM 1013 | **ASHLYN KNOB**
 MATERIAL | ALUMINIUM AND WOOD
 SIZE Ø | 33MM | RAK043 | RAK045 | RAK044



ITEM 897 | **GUSTO KNOB**
 MATERIAL | ALUMINIUM
 SIZE Ø | 39MM | RAK021 | RAK020





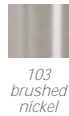
ITEM 899 | **ZIGGI KNOB**
 MATERIAL | ALUMINIUM
 SIZE Ø | 14MM | RAK025 | RAK026
 | 19MM | RAK027 | RAK028



ITEM 27 | **KR BAR KNOB**
 MATERIAL | ALUMINIUM
 SIZE Ø | 12MM | RAK136 | RAK137
 | 14MM | RAK138 | RAK139
 | 20MM | RAK164 | RAK123 | RAK165
 | 24MM | RAK166 | RAK124
 | 32MM | RAK190



ITEM 935 | **KR BAR KNOB WITH PLATE**
 MATERIAL | ALUMINIUM
 SIZE Ø | 14MM | RAK029



ITEM 898 | **FLINN KNOB**
 MATERIAL | ALUMINIUM
 SIZE Ø | 24,6MM | RAK024 | RAK023 | RAK022



ITEM 895 | **BAX KNOB**
 MATERIAL | ALUMINIUM
 SIZE Ø | 37,5MM | RAK015 | RAK014 | RAK017 | RAK016





ITEM 639 | **MANOO HANDLE**
 MATERIAL | ZINC
 SIZE \leftrightarrow ----- \leftrightarrow | 96MM | RIH2191

ITEM 640 | **MANOO KNOB**
 MATERIAL | ZINC
 SIZE \emptyset | 45MM | RIH2192



204
antique
silver



ITEM 650 | **TATIUS HANDLE**
 MATERIAL | ZINC
 SIZE \leftrightarrow ----- \leftrightarrow | 128MM | RIH2206

ITEM 651 | **TATIUS KNOB**
 MATERIAL | ZINC
 SIZE \emptyset | 32MM | RIH2207



204
antique
silver



ITEM 633 | **ESHA HANDLE**
 MATERIAL | ZINC
 SIZE \leftrightarrow ----- \leftrightarrow | 128MM | RIH2185



204
antique
silver





ITEM 635 | **ELA HANDLE**
 MATERIAL | ZINC
 SIZE \leftrightarrow ----- \leftrightarrow | 96MM | RIH2187



*204
antique
silver*



ITEM 634 | **EDITH HANDLE**
 MATERIAL | ZINC
 SIZE \leftrightarrow ----- \leftrightarrow | 128MM | RIH2186



*204
antique
silver*



ITEM 637 | **MARLYN HANDLE**
 MATERIAL | ZINC
 SIZE \leftrightarrow ----- \leftrightarrow | 128MM | RIH2189



*204
antique
silver*



ITEM 642 | **SKYLER HANDLE**
 MATERIAL | ZINC
 SIZE \leftrightarrow ----- \leftrightarrow | 128MM | RIH2194



*204
antique
silver*



ITEM 636 | **ROZA HANDLE**
 MATERIAL | ZINC
 SIZE \leftrightarrow ----- \leftrightarrow | 160MM | RIH2188



*204
antique
silver*





ITEM 862 | THOR HANDLE
 MATERIAL | ALUMINIUM
 SIZE ϕ ----- ϕ | 160MM | RAH024 | RAH026 | RAH027



103
brushed
nickel



205
antique
iron



1005
saddle
wood



ITEM 641 | DORE KNOB
 MATERIAL | ZINC
 SIZE ϕ | 38MM
 | RIH2193



204
antique
silver



ITEM 638 | NEVAD KNOB
 MATERIAL | ZINC
 SIZE ϕ | 35MM
 | RIH2190



204
antique
silver





ITEM 912 | CHASE HANDLE
 MATERIAL | ALUMINIUM
 SIZE ↔-----↔ | 32MM | RAH043
 128MM | RAH044



205
antique
iron



ITEM 643 | BURKE HANDLE
 MATERIAL | ZINC
 SIZE ↔-----↔ | 96MM | RIH2195

ITEM 644 | BURKE KNOB
 MATERIAL | ZINC
 SIZE Ø | 68MM | RIH2196



204
antique
silver



ITEM 652 | REMY HANDLE
 MATERIAL | ZINC
 SIZE ↔-----↔ | 205MM | RIH2208



204
antique
silver





ITEM 1317 | **VASCO KNOB**
 MATERIAL | WOOD
 SIZE Ø | 70MM | RWK002
 90MM | RWK001



ITEM 1319 | **UMBRO KNOB**
 MATERIAL | WOOD
 SIZE Ø | 70MM | RWK006
 90MM | RWK005

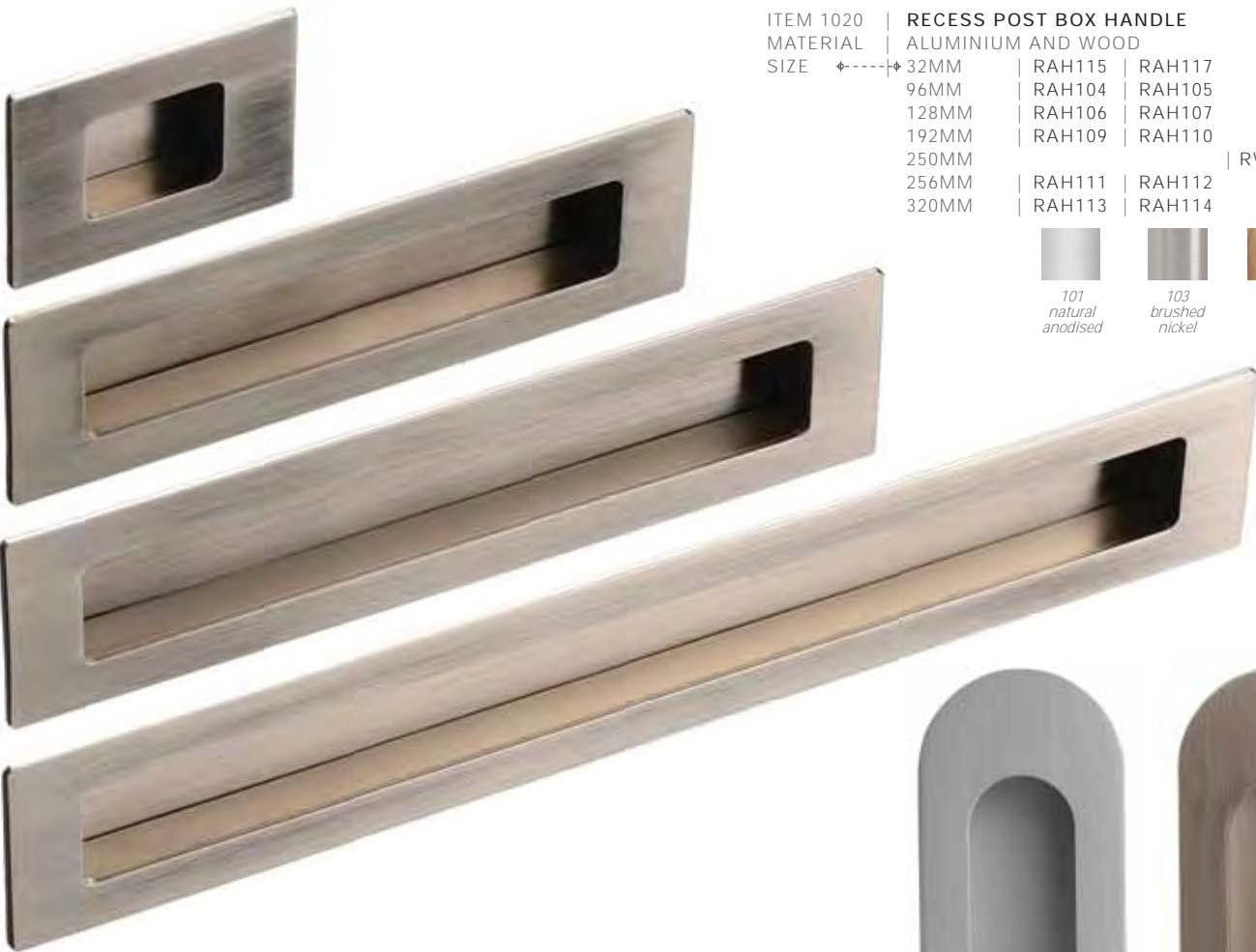


ITEM 1323 | **LUNA KNOB**
 MATERIAL | WOOD
 SIZE Ø | 50MM
 CODE | RWK013 | RWK011 | RWK012



ITEM 1324 | **IVO KNOB**
 MATERIAL | WOOD
 SIZE | 50 X 50MM
 CODE | RWK017 | RWK019 | RWK020

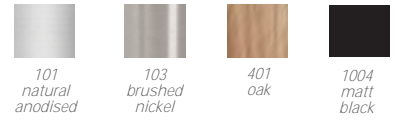




ITEM 1020 | RECESS POST BOX HANDLE

MATERIAL | ALUMINIUM AND WOOD

SIZE	32MM	RAH115	RAH117	
	96MM	RAH104	RAH105	
	128MM	RAH106	RAH107	RAH025
	192MM	RAH109	RAH110	
	250MM			RWH001
	256MM	RAH111	RAH112	
	320MM	RAH113	RAH114	



ITEM 1023	POST BOX HANDLE ROUND
MATERIAL	ALUMINIUM
SIZE	32MM RAH118 RAH120
	96MM RAH121 RAH123



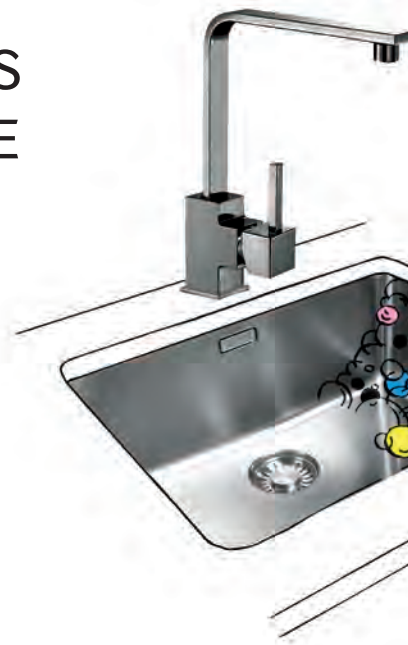


FRANKE

MAKE IT WONDERFUL

KITCHEN SYSTEMS PRODUCT RANGE

SINKS
SINK MIXERS
WASH TROUGHS
KITCHEN ACCESSORIES



CASCADE - SQUARELINE RANGE

FEATURES

- CASCADE IS A RANGE OF COMPACT SINKS WITH A COMPLIMENTARY SQUARE DESIGN WITH A 500MM WIDTH.
- THE CASCADE ALSO HOSTS A LARGER DRAINING AREA. MANUFACTURED IN SOUTH AFRICA USING THE LATEST FRANKE SWISS TECHNOLOGY TO PRODUCE CONSISTENT HIGH QUALITY PRODUCTS.
- THE SINKS ARE PRODUCED USING MONO BLOCK TECHNOLOGY TO MINIMISE WELDING, AND IN DOING SO ENSURES THAT QUALITY AND PERFORMANCE IS OF THE HIGHEST STANDARDS.
- ALL SINKS ARE SUPPLIED WITH A 90MM BASKET STRAINER WASTE FITTING TO REDUCE WASTE ENTERING THE DRAINING SYSTEM.



DOUBLE BOWL - SATIN FINISH



ITEM 330	CASCADE CDX621-120
SINK SIZE	1200L X 500W MM
BOWL SIZE	343L X 410W X 157D MM
CUT-OUT SIZE	1180L X 480W MM
CODE	RKW563
INCLUDES	2 X 90MM BASKET STRAINER WASTE FITTING (*BSW)



SINGLE BOWL - SATIN FINISH



ITEM 332	CASCADE CDX611
SINK SIZE	925L X 500W MM
BOWL SIZE	343L X 410W X 169D MM
CUT-OUT SIZE	905L X 480W MM
CODE	RKW564
INCLUDES	1 X 90MM BASKET STRAINER WASTE FITTING (*BSW)



TRIPLE BOWL - SATIN FINISH



ITEM 328	CASCADE CDX671
SINK SIZE	1360L X 500W MM
BOWL SIZE	343L X 410W X 157D MM
CUT-OUT SIZE	1340L X 480W MM
CODE	RKW562
INCLUDES	3 X 90MM BASKET STRAINER WASTE FITTING (*BSW) PLASTIC INSERT

*(BSW) BASKET STRAINER WASTE FITTING



NOUVEAU - SQUARELINE RANGE

FEATURES

- THE NOUVEAU FEATURES A MINIMALISTIC DESIGN WITH SQUARE CORNERS AND A FRESHER LOOK DRAINER BOARD.
- MANUFACTURED LOCALLY, THE NOUVEAU RANGE IS A COMPACT AND AFFORDABLE SINK, PRODUCED USING MONOBLOCK TECHNOLOGY FROM AUSTENITIC STAINLESS STEEL TO ENSURE THAT THE PRODUCT WITHSTANDS COASTAL CONDITIONS.
- SUPPLIED COMPLETE WITH 90MM BASKET STRAINER WASTE FITTINGS.



SINGLE BOWL - SATIN FINISH

ITEM 333	NOUVEAU NVN611	
SINK SIZE	800L X 460W MM	
BOWL SIZE	340L X 370W X 149D MM	
CUT-OUT SIZE	780L X 440W MM	
CODE	RKW565	
INCLUDES	1 X 90MM BASKET STRAINER WASTE FITTING (*BSW)	



DOUBLE BOWL - SATIN FINISH

ITEM 338	NOUVEAU NVN621	
SINK SIZE	1160L X 460W MM	
BOWL SIZE	340L X 370W X 149D MM	
CUT-OUT SIZE	1140L X 440W MM	
CODE	RKW566	
INCLUDES	2 X 90MM BASKET STRAINER WASTE FITTING (*BSW)	

SUGGESTED ACCESSORIES



SPAZI F1 | RKW600 SPAZI F2 | RKW601



PROJECTLINE - SQUARELINE RANGE

FEATURES

- PROJECTLINE SINKS ARE MANUFACTURED USING STATE OF THE ART MONO BLOCK TECHNOLOGY FOR STRENGTH AND HYGIENE.
- SINKS ARE SUPPLIED WITH 38MM PVC WASTE FITTINGS WITH PLUGS.



SINGLE BOWL - SATIN FINISH

ITEM 340	PROJECTLINE PLN611	
SINK SIZE	800L X 460W MM	
BOWL SIZE	340L X 370W X 140D MM	
CUT-OUT SIZE	780L X 440W MM	
CODE	RKW567	
INCLUDES	1 X 38MM PVC WASTE FITTING & PLUG WITH HANDLE	



DOUBLE BOWL - SATIN FINISH

ITEM 341	PROJECTLINE PLN621	
SINK SIZE	1160L X 460W MM	
BOWL SIZE	340L X 370W X 140D MM	
CUT-OUT SIZE	870L X 440W MM	
CODE	RKW568	
INCLUDES	2 X 38MM PVC WASTE FITTING & PLUG WITH HANDLE	

SUGGESTED ACCESSORIES



SPAZI F1 | RKW600 SPAZI F2 | RKW601



QUINLINE - SOFTLINE RANGE

FEATURES

- QUINLINE IS A 'SOFT EDGE' RANGE OF INSET SINKS PRODUCED IN SOUTH AFRICA. THIS RANGE OF MONOBLOCK ONE-PIECE PRESSED SINKS HAVE A PROVEN TRACK RECORD OF CONSISTENT QUALITY AND PERFORMANCE.
- ALL THE EDGES ARE FOLDED FOR EXTRA STRENGTH ON THE CORNERS.
- AUSTENITIC STAINLESS STEEL ENSURES THAT THE PRODUCT PERFORMS WELL IN HIGH CORROSION COASTAL AREAS. QUINLINE SINKS ARE SUPPLIED WITH 90MM BASKET STRAINER WASTE FITTINGS.



DOUBLE BOWL - SATIN FINISH

ITEM 344	QUINLINE QLX621-120	
SINK SIZE	1200L X 500W MM	
BOWL SIZE	343L X 410W X 149D MM	
CUT-OUT SIZE	REFER TO TEMPLATE INCLUDED WITH PACKAGING	
CODE	RKW570	
INCLUDES	2 X 90MM *BSW	



DOUBLE CENTRE BOWL - SATIN FINISH

ITEM 345	QUINLINE QLX622	
SINK SIZE	1500L X 500W MM	
BOWL SIZE	343L X 410W X 153D MM	
CUT-OUT SIZE	REFER TO TEMPLATE INCLUDED WITH PACKAGING	
CODE	RKW571	
INCLUDES	2 X 90MM *BSW	



SINGLE BOWL - SATIN FINISH



ITEM 343	QUINLINE QLX611
SINK SIZE	900L X 500W MM
BOWL SIZE	343L X 410W X 166D MM
CUT-OUT SIZE	REFER TO TEMPLATE INCLUDED WITH PACKAGING
CODE	RKW569
INCLUDES	1 X 90MM *BSW

*(BSW) BASKET STRAINER WASTE FITTING



RONDO - INSET - PREP BOWLS

FEATURES

- INSTALLING A FRANKE PREP BOWL EVOLVES THE KITCHEN INTO A CO-ORDINATED AND EFFICIENT WORKPLACE WITHIN THE HOME.



SATIN FINISH	ITEM 347	RONDO RDX610-48
	SINK SIZE	480Ø MM
	BOWL SIZE	380L X 161D MM
	CUT-OUT SIZE	REFER TO TEMPLATE INCLUDED WITH PACKAGING
	CODE	RKW572
	INCLUDES	1 X 90MM *BSW



SATIN FINISH	ITEM 349	RONDO RDX610-45
	SINK SIZE	450Ø MM
	BOWL SIZE	380L X 161D MM
	CUT-OUT SIZE	REFER TO TEMPLATE INCLUDED WITH PACKAGING
	CODE	RKW573
	INCLUDES	1 X 90MM *BSW



SATIN FINISH	ITEM 350	RONDO RDX610-44*
	SINK SIZE	340Ø MM
	BOWL SIZE	300L X 139D MM
	CUT-OUT SIZE	REFER TO TEMPLATE INCLUDED WITH PACKAGING
	CODE	RKW574
	INCLUDES	1 X 38MM PVC WASTE FITTING & PLUG WITH HANDLE



*PLEASE NOTE: RDX610-34 PREP BOWLS ARE MANUFACTURED FROM FERRITIC STAINLESS STEEL AND ARE NOT SUITABLE FOR COASTAL APPLICATIONS DUE TO CORROSION RISK.

SUGGESTED ACCESSORIES



WASTE DISPOSER | RKW597



STELLA - UNDERMOUNT SINK

FEATURES

- THE STELLA SVX110-40 IS A 190MM DEEP BOWL UNDERMOUNT SINK FROM FRANKE ITALY.
- ALLOW THE NATURAL BEAUTY OF YOUR COUNTER TO BE UNINTERRUPTED BY THE EDGES OF YOUR SINK AS WELL AS INCREASING THE COUNTER SPACE TO YOUR KITCHEN.
- STELLA FEATURES AN OVERFLOW AND 90MM BASKET STRAINER WASTE FITTINGS.



SATIN FINISH	ITEM 351	STELLA SVX110-40
	SINK SIZE	428L X 428W MM
	BOWL SIZE	400L X 400W X 190D MM
	CUT-OUT SIZE	REFER TO TEMPLATE INCLUDED WITH PACKAGING
	CODE	RKW575
	INCLUDES	1 X 90MM *BSW



SUGGESTED ACCESSORIES



SPAZI F1
RKW600



SPAZI F2 |
RKW601



WASTE DISPOSER
RKW597

CUB - UNDERMOUNT SINK

FEATURES

- STYLISH AND DURABLE, THESE FRANKE UNDERMOUNT SINKS OFFER VARIETY IN STYLE AND SIZE, CATERING FOR ALL TYPES OF KITCHENS AND TASTES.



SATIN FINISH	ITEM 352	CUB 150
	SINK SIZE	390L X 455W MM
	BOWL SIZE	345L X 410W X 140D MM
	CUT-OUT SIZE	REFER TO TEMPLATE INCLUDED WITH PACKAGING
	CODE	RKW576
	INCLUDES	1 X 90MM *BSW



OPTIONAL FIXING BRACKETS FOR DROP-ON SINKS

ITEM 591 | **FALCON BRACKET**
CODE | RKW605



WALL FIXING BRACKETS
440L X 280W MM TO BE
MANUFACTURED FROM
GALVANISED MILD STEEL

SA94 - DROP-ON SINK SINGLE BOWL

FEATURES

- THE SA94 IS AN ENTRY LEVEL CONTRACT SINK DESIGNED TO FIT SNUGGLY ON THE TOP OF A KITCHEN COUNTER TOP OR ALTERNATIVELY ON A WALL FIXING BRACKET.



SATIN FINISH	ITEM 353	DROP-ON SA94
	SINK SIZE	900L X 460W MM
	BOWL SIZE	460L X 410W X 120D MM
	CODE	RKW577



*(BSW) BASKET STRAINER WASTE FITTING



TRENDLINE - DROP-ON RANGE

FEATURES

- DROP-ON RANGE OF SINKS ARE AVAILABLE IN SINGLE OR DOUBLE BOWLS BEING MANUFACTURED USING STATE-OF-THE-ART MONO BLOCK TECHNOLOGY.
- DESIGNED SPECIALLY TO FIT SNUGLY ON THE TOP OF THE KITCHEN UNIT, THIS TRADITIONAL RANGE IS SUITABLE FOR ANY CONTEMPORARY KITCHEN.

SINGLE END BOWL - 460MM WIDE



ITEM 354 | **TRENDLINE 711 800X460 SEB**
 SINK SIZE | 800L X 460W MM
 BOWL SIZE | 340L X 370W X 140D MM
 CODE | RKW578



ITEM 355 | **TRENDLINE 711 1000X460 SEB**
 SINK SIZE | 1000L X 460W MM
 BOWL SIZE | 460L X 350W X 140D MM
 CODE | RKW579



SINGLE END BOWL - 535MM WIDE



ITEM 356 | **TRENDLINE 711 1200X535 SEB**
 SINK SIZE | 1200L X 535W MM
 BOWL SIZE | 460L X 350W X 140D MM
 CODE | RKW580



DOUBLE END BOWL - 535MM WIDE

ITEM 357 | **TRENDLINE 721-1200X535 DEB**
 SINK SIZE | 1200L X 535W MM
 BOWL SIZE | 410L X 343W X 140D MM
 CODE | RKW581



DOUBLE END CENTRE BOWL - 535MM WIDE

ITEM 365 | **TRENDLINE 1500X535 DCB**
 SINK SIZE | 1500L X 535W MM
 BOWL SIZE | 343L X 410W X 146D MM
 CODE | RKW582



SIRX WASH TROUGH - INSET OR WALL MOUNTED TYPE



ITEM 368 | **SIRX WASH TROUGH - INSET OR WALL MOUNTED TYPE**
 SINK SIZE | 500L X 450W MM
 BOWL SIZE | 450L X 400W X 240D MM
 CUT-OUT SIZE | 582L X 482W MM
 CODE | RKW585



ITEM 366 | **BRACKET FOR SIRX WASH TROUGH**
 | SOLD IN PAIRS
 CODE | RKW583

WASH TROUGHS - LUXTUB RANGE

FEATURES

- LAUNDRIES ARE SUBJECT TO HEAVY USAGE AND A COMPREHENSIVE RANGE OF PRODUCTS ARE AVAILABLE.
- AS LAUNDRIES ARE SUBJECT TO HEAVY USAGE, THE LUXTUB RANGE MEETS AESTHETIC REQUIREMENTS AND FUNCTIONALITY.
- MOST LAUNDRY PRODUCTS ARE EXTERNALLY USED AND EXPOSED TO THE ELEMENTS AND SUNLIGHT.
- STAINLESS STEEL IS HIGHLY RESISTANT TO DETERIORATION AND MEET THE CRITERIA OF AESTHETICS, FUNCTIONALITY AND APPLICATION.
- MOST WASH TROUGHS ARE EXPOSED TO THE ELEMENTS AND SUNLIGHT.
- STAINLESS STEEL IS HIGHLY RESISTANT TO DETERIORATION.

LDL LUXTUB - WALL MOUNTED/DROP-ON WASH TROUGH



ITEM 367 | **WALL MOUNTED/DROP-ON WASH TROUGH LDL LUXTUB**
 SINK SIZE | 600L X 500W MM
 BOWL SIZE | 525L X 425W X 257D MM
 CODE | RKW584
 BRACKETS NOT INCLUDED



DLT LUXTUB - INSET TYPE WASH TROUGH



ITEM 369 | **INSET TYPE WASH TROUGH DLT LUXTUB**
 SINK SIZE | 600L X 500W MM
 BOWL SIZE | 582L X 425W X 257D MM
 CUT-OUT SIZE | 582L X 482W MM
 CODE | RKW586



OPTIONAL FIXING BRACKETS FOR LUXTUB AND DROP-ON SINKS

ITEM 591 | **FALCON BRACKET**
 CODE | RKW605



ET RANGE WASH TROUGHS

- THE ET RANGE IS OUR ECONOMY RANGE OF WASH TROUGHS, AVAILABLE IN SINGLE, DOUBLE AND MINI VERSIONS.
- **THE ECONOMY TYPE OF WASH TROUGHS ARE NOT RECOMMENDED FOR COASTAL, HEAVY DUTY OR CORROSIVE APPLICATIONS.**

ET101 - FABRICATED SINGLE WASH THROUGH



12 YEAR WARRANTY

ITEM 370 | FABRICATED SINGLE WASH TROUGH **ET101**
 SINK SIZE | 540L X 430W MM
 BOWL SIZE | 485L X 395W x 300D MM
 CODE | RKW587

ET102 - FABRICATED DOUBLE WASH THROUGH



12 YEAR WARRANTY

ITEM 382 | FABRICATED DOUBLE WASH TROUGH **ET102**
 SINK SIZE | 1030L X 430W MM
 BOWL SIZE | 485L X 395W x 300D MM
 CODE | RKW588
 WASTE FITTING NOT INCLUDED



SINK MIXERS

FEATURES

- CERAMIC DISK CARTRIDGE WITH ANTI-SCOLD
- SOLID DZR BRASS CONSTRUCTION
- SMART LIME CLEANING AERATOR (EXCEPT FOR THE ENIX SQUARE SWIVEL)
- CHROME PLATED
- 5 YEAR GUARANTEE
- 2 YEAR GUARANTEE ON CERAMIC CARTRIDGE



CASCADE PROFESSIONAL

ITEM 391 | 12L/MIN RETRACTABLE
 CODE | RKW591



LUCIDO SWIVEL

ITEM 422 | 12L/MIN SWIVEL
 CODE | RKW596



MIRABELLA SWIVEL

ITEM 419 | 12L/MIN RETRACTABLE
 CODE | RKW595



ZEETA SWIVEL

ITEM 417 | 12L/MIN SWIVEL
 CODE | RKW594



MIRUS PROFESSIONAL

ITEM 397 | 12L/MIN RETRACTABLE
 CODE | RKW593



PROJECTLINE SINGLE LEVER

ITEM 396 | 12L/MIN SWIVEL
 CODE | RKW592



ENIX SQUARE SWIVEL

ITEM 383 | 12L/MIN SWIVEL
 CODE | RKW589



HIGHRISE SWIVEL

ITEM 388 | 12L/MIN SWIVEL
 CODE | RKW590



WARRANTIES FOR SINKS & MIXERS

STAINLESS STEEL DOMESTIC KITCHEN SINKS: 25 YEARS AGAINST CORROSION FROM DATE OF PURCHASE
 STAINLESS STEEL SA94 SINK: 24 MONTHS AGAINST MANUFACTURING DEFECTS
 ACCESSORIES (WASTE FITTINGS, CUTTING BOARDS, BASKETS, ETC): 12 MONTHS AGAINST MANUFACTURING DEFECTS
 WASTE DISPOSAL: 12 MONTHS AGAINST MANUFACTURING DEFECTS
 KITCHEN SINK MIXERS: BODY - 5 YEARS AGAINST MANUFACTURING DEFECTS
 CARTRIDGE: 24 MONTHS AGAINST MANUFACTURING DEFECTS
 ECONOMY WASH TROUGHS AND ECONOMY PREP BOWLS: 12 MONTHS AGAINST MANUFACTURING DEFECTS



WASTE DISPOSER 0.7HP WITH AIR SWITCH

Horsepower	3/4HP
Input power	1300W
Output power	550W
Start current	8.5A
Rated current	5.7A
Rotating speed	1380rpm
Frequency	50Hz
Voltage	220V-230V
Grinding components	Stainless Steel
Overload protection	Overload protector
Noise	55dB
Vibration	Low
Grinding fineness	<4mm
Volume	1200ml
Motor	AC induction

WASTE DISPOSER

FEATURES

- FOOD WASTE DISPOSER WITH AIR SWITCH AND BRUSH PLUG.
- DURABLE AND ENERGY EFFICIENT, MINIMISES WASTE AND ODOURS.
- HYGIENIC AND EFFECTIVE DISPOSAL OF WASTE IN THE HOME.
- STAINLESS STEEL GRINDING CHAMBER.
- REQUIRES A 90MM WASTE FITTING OUTLET.
- FRUIT AND VEGETABLE PEELS, RICE, SOFT CHICKEN BONES AND EGG SHELLS MAY BE EFFORTLESSLY GROUNDED WITH WATER AND FLUSHED THROUGH YOUR WASTE WATER SYSTEM.
- SUITABLE FOR SEPTIC TANK SYSTEMS.
- ELECTRICAL CERTIFICATION: SABS IEC 60 335-2-16



AIR SWITCH

ITEM 440 | **FOOD WASTE DISPOSER 0.75 HP**
 MODEL FP
 (WITH AIR SWITCH)
 CODE | RKW597
 AIR SWITCH INCLUDED



CLEANING AND MAINTENANCE

CLEANING PROCEDURE

- CLEAN THE STAINLESS STEEL WHEN NOTICEABLY DULL OR DIRTY.
- STAINLESS STEEL REACTS BEST TO CLEAN WATER OR MILD DETERGENT SOLUTION, APPLIED WITH A SOFT CLOTH OR SPONGE, RINSED WELL AND WIPED DRY.
- ROUTINE, SIMPLE, GENTLE AND INEXPENSIVE CLEANING WILL RETAIN BOTH THE CORROSION RESISTANCE AND APPEARANCE OF STAINLESS STEEL THROUGH YEARS OF EXPOSURE AND USE.
- OCCASIONALLY A SMALL AMOUNT OF MARINE SHINE MAY BE USED ON A SOFT, DAMP CLOTH WITH THE DETERGENT SOLUTION TO REMOVE STUBBORN DIRT OR STRAINS. RUB GENTLY.

CLEANING DO'S

- REGULAR ROUTINE CLEANING INSTEAD OF AGGRESSIVE SINGLE CLEANING.
- ONLY USE PROPRIETY BRANDS OF CLEANERS THAT STATE "SUITABLE FOR STAINLESS STEEL".
- ALWAYS RINSE AND DRY AS THE FINAL STEP IN A CLEANING PROCEDURE.

CLEANING DON'TS

- DO NOT USE COARSE, ABRASIVE POWDERS, METALLIC SCORERS OR BRUSHES WITH METAL BRISTLES.
- DO NOT USE "SILVER CLEANERS" OR ACIDS (EXCEPT NITRIC ACID WHERE INDICATED).

STORAGE OF PRODUCTS

PRODUCT RESEARCH HAS PROVEN THAT CERTAIN HOUSEHOLD PRODUCTS WHICH MAY BE STORED UNDERNEATH A SINK, CAN LEAD TO DAMAGE OF THE SINK'S BASE. CHLORINE IS A MAJOR CULPRIT AND CAN BE FOUND IN: CHLORINE OF SWIMMING POOLS; HOUSEHOLD BLEACH; BATHROOM CLEANING PRODUCTS SUCH AS TOILET CLEANERS, MILDEW TREATMENTS AND TILE CLEANERS, KITCHEN CLEANING PRODUCTS - ESPECIALLY LIQUID CLEANERS; POWDERS FOR DISHWASHERS AND LAUNDRY DETERGENTS. PRESERVE THE LIFE AND BEAUTY OF YOUR SINK BY STORING THESE PRODUCTS AWAY FROM THE SINK AREA IN A WELL VENTILATED CUPBOARD THAT IS PREFERABLY CHILD-PROOF.



ITEM 470 | **MARINE SHINE**
POLISH
 SIZE | 75G TUBE
 CODE | RIH278



SPAZI F/1

SPAZI PLUMBING KITS

- WASTE MANAGEMENT

FEATURES

- SPACE SAVING PLUMBING KITS WHICH FACILITATE OUTLET CONNECTIONS FOR WASHING MACHINES AND DISHWASHERS.
- FULLY ADJUSTABLE TO SUIT BOWL HEIGHTS AND POSITIONS.



SPAZI F/2

ITEM 443 | **SPAZI F/1 SINGLE BOWL**
 CODE | RKW600

ITEM 444 | **SPAZI F/2 DOUBLE BOWL**
 CODE | RKW601



SPARES KIT

ITEM 596 | **SPAZI CONVERSION & SPARES KIT**
 CODE | RKW606



GENERAL ACCESSORIES

- WASTE FITTINGS



ITEM 442 | **90MM BASKET STRAINER WASTE FITTING (BSW)**
 CODE | RKW599



ITEM 515 | **WASTE PLUG BASKET STRAINER FOR 90MM BSW FITTING**
 CODE | RKW603



ITEM 486 | **38MM WASTE FITTING & PVC PLUG WITH HANDLE**
 CODE | RKW602



ITEM 589 | **RUBBER GASKET FOR 90MM BASKET STRAINER**
 CODE | RKW604

NATURE INSPIRES THE FINEST THINGS.

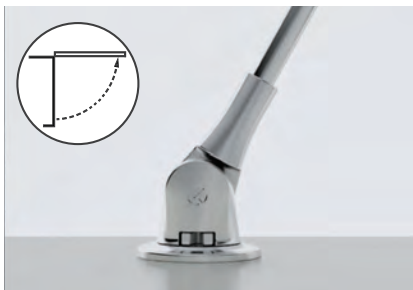
FIXING HARDWARE & LIFT SYSTEMS



K12 GAS STAY

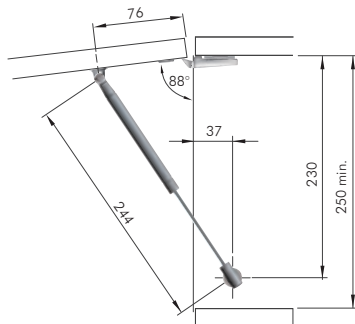
FEATURES

- EASY-TO-INSTALL SOLUTION THAT MAKES ADDITIONAL SCREWS UNNECESSARY
- IMPROVING THE AESTHETIC AND REDUCING ASSEMBLY TIME
- THE SYSTEM OPERATES THROUGH CLICK-IN DOOR AND SIDE SUPPORTS REDUCING THE RISK OF UNSAFE OR INCORRECT INSTALLATION
- LENGTH: 244MM
- STRENGTH: 80N / 0N
- MAX WEIGHT PER DOOR: **4 - 5KG AVERAGE**
- MAX SIZE PER DOOR: 900 X 400MM
- VERSIONS: LIFT UP AUTOMATIC AND DROP DOWN
- MOUNTING BRACKET: Ø15MM OR A SCREW
- HANDLESS OPENING OPTION: YES
REFER TO K PUSH SECTION PAGE 32 - 33
- USED WITH SPRUNG OR UNSPRUNG (PUSH) OR KIMANA HINGES
REFER TO HINGES SECTION
SPRUNG PAGE AND UNSPRUNG (PUSH) PAGE 32 - 33 / KIMANA PAGE 31

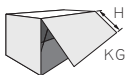
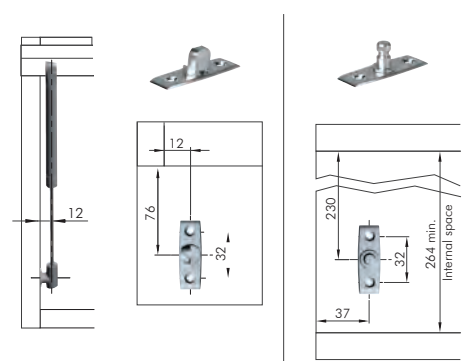


K12 GAS STAY LIFT UP AUTOMATIC 80N

BRACKET: Ø15MM FIXING



BRACKET: SCREW FIXING



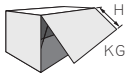
H	DOOR WEIGHT (KG)											
	1	1.5	2	2.5	3	3.5	4	4.5	5	5.5	6	6.5
300		X1							X2			
350		X1					X2					
400		X1				X2						

ITEM 91 | K12 GAS STAY LIFT UP **AUTOMATIC 80N**
 SIZE | 244MM | RIH2055
 MOUNTING BRACKET SOLD SEPARATELY
 REFER TO MOUNTING BRACKET SECTION

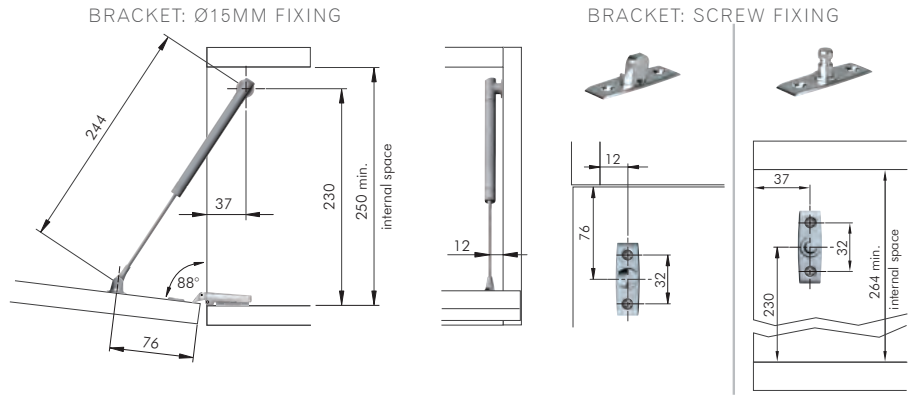




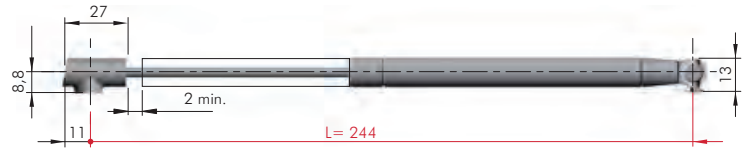
K12 GAS STAY DROP DOWN ON



H	DOOR WEIGHT (KG)						
	1	2	3	4	5	6	7
300	X1			X2			
350	X1	X2					
400	X1	X2					

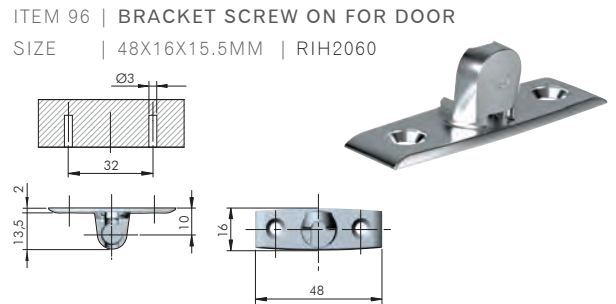
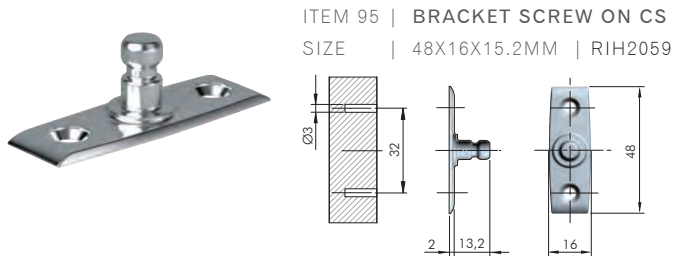
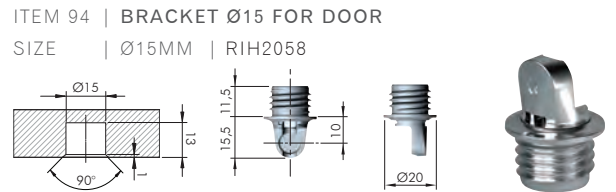
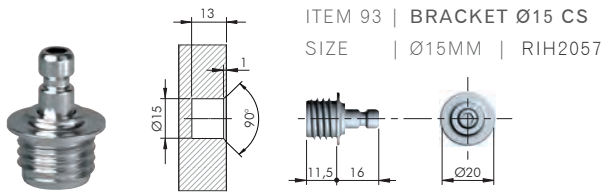


ITEM 92 | **K12 GAS STAY DROP DOWN**
 SIZE | 244MM | RIH2056
 MOUNTING BRACKET SOLD SEPARATELY
 REFER TO MOUNTING BRACKET SECTION



THE DIMENSIONS OF THE ABOVE DRILLING PLAN REFER TO CARCASSES WHICH USE STANDARD SPRUNG OR UNSPRUNG HINGES

MOUNTING BRACKETS



KRABY GAS STAY

FEATURES

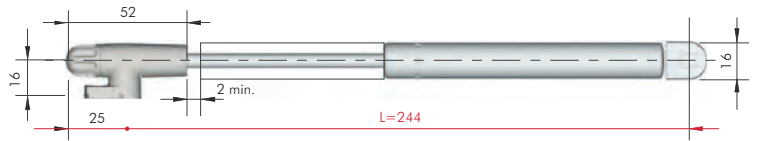
- EASY-TO-INSTALL SOLUTION THAT MAKES ADDITIONAL SCREWS UNNECESSARY
- IMPROVING THE AESTHETIC AND REDUCING ASSEMBLY TIME
- LENGTH: 244MM
- STRENGTH: 60N / 80N / 0N
- MAXIMUM WEIGHT PER DOOR: **4 - 5KG AVERAGE**
- MAXIMUM SIZE PER DOOR: 900 X 400MM
- VERSIONS: LIFT UP AUTOMATIC AND DROP DOWN
- MOUNTING BRACKET: SCREW ON
- HANDLESS OPENING OPTION: YES
REFER TO K PUSH SECTION PAGE 32 - 33
- USED WITH SPRUNG OR UNSPRUNG (PUSH) OR KIMANA HINGES
REFER TO HINGES SECTION
SPRUNG PAGE AND UNSPRUNG (PUSH) PAGE 32 / KIMANA PAGE 31



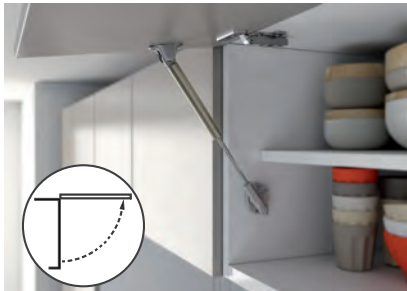
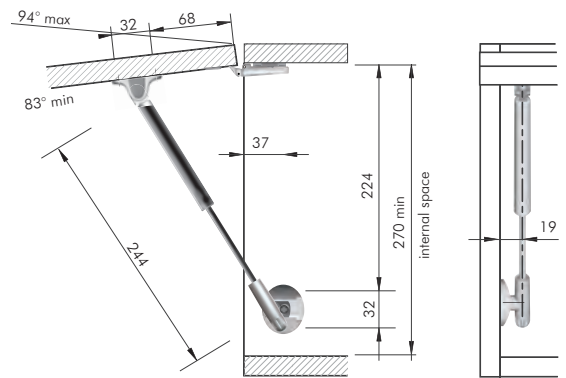
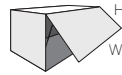
KRABY GAS STAY LIFT UP **FRICTION** 60N
DOOR STAYS OPEN AT THE OPENING ANGLE

H	W	450		600		900	
		KG	KRABY	KG	KRABY	KG	KRABY
300-350			2.1-2.5	1X60N			
351-400			2.5-2.8	1X60N			
401-450	2.1-2.4	1X60N			4.2-4.7	2X60N	
451-500			3.2-3.5	2X60N	4.7-5.3	2X60N	

ITEM 97 | KRABY GAS STAY LIFT UP **FRICTION** 50N
SIZE | 244MM | RIH2061
MOUNTING BRACKET SOLD SEPARATELY
REFER TO MOUNTING BRACKET SECTION



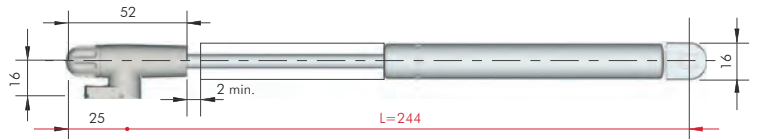
DRILLING DETAIL



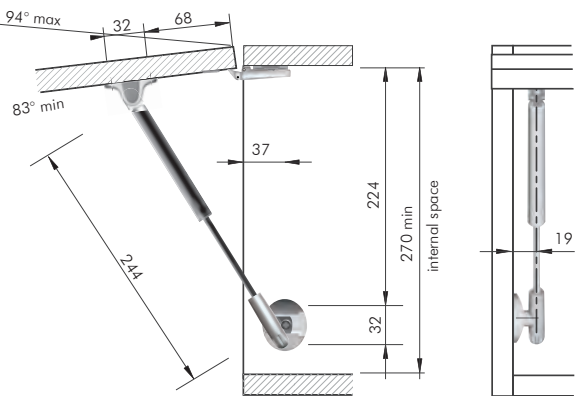
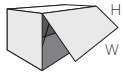
KRABY GAS STAY LIFT UP **AUTOMATIC** 80N

H	W	450		600		900	
		KG	KRABY	KG	KRABY	KG	KRABY
300-350	1.6-1.8	1X80N	2.1-2.5	1X80N	3.2-3.7	2X80N	
351-400	1.8-2.1	1X80N			3.7-4.2	2X80N	
401-450			2.2-3.2	2X80N	4.2-4.7	2X80N	
451-500	2.4-2.6	2X80N	3.2-3.5	2X80N			

ITEM 99 | KRABY GAS STAY LIFT UP **AUTOMATIC** 80N
SIZE | 244MM | RIH2062
MOUNTING BRACKET SOLD SEPARATELY
REFER TO MOUNTING BRACKET SECTION

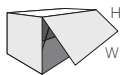


DRILLING DETAIL



KRABY GAS STAY **DROP-DOWN** ON

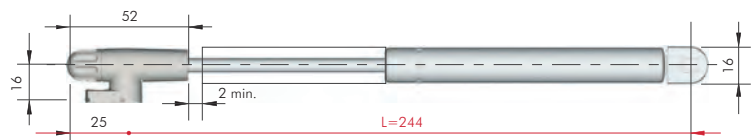
H	W 1200 MAX	
	STAYS	KG
300-350	2X244	< 4.9



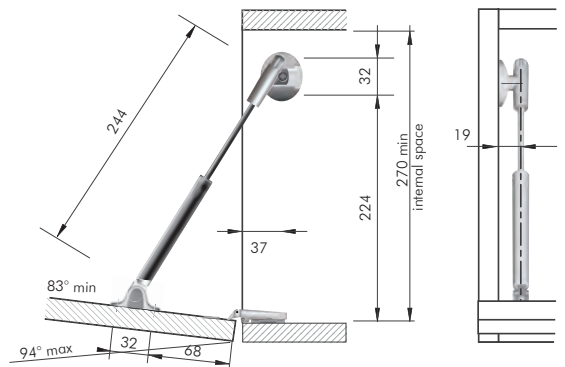
FOR BETTER FUNCTION AND FOR SAFETY REASONS, WE SUGGEST TO USE AT LEAST TWO STAYS PER PIECE OF FURNITURE.

THE DIMENSIONS OF THE DRILLING PLANS ON THIS PAGE REFER TO CARCASSES WHICH USE STANDARD SPRUNG OR UNSPRUNG HINGES.

ITEM 160 | KRABY GAS STAY **DROP-DOWN**
SIZE | 244MM | RIH2063
MOUNTING BRACKET SOLD SEPARATELY
REFER TO MOUNTING BRACKET SECTION

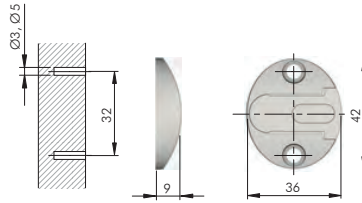


DRILLING DETAIL

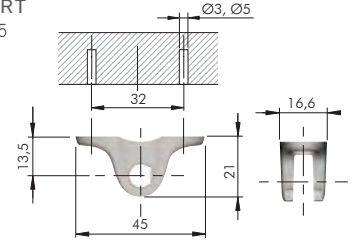




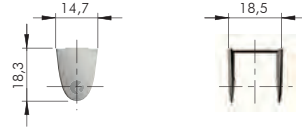
ITEM 101 | KRABY SIDE BRACKET
CODE | 42X36X9MM | RIH2064



ITEM 102 | KRABY DOOR SUPPORT
CODE | 42X36X9MM | RIH2065



ITEM 114 | KRABY PLASTIC COVER FOR DOOR SUPPORT
CODE | 42X36X9MM | RIH2066



INSTALLATION:

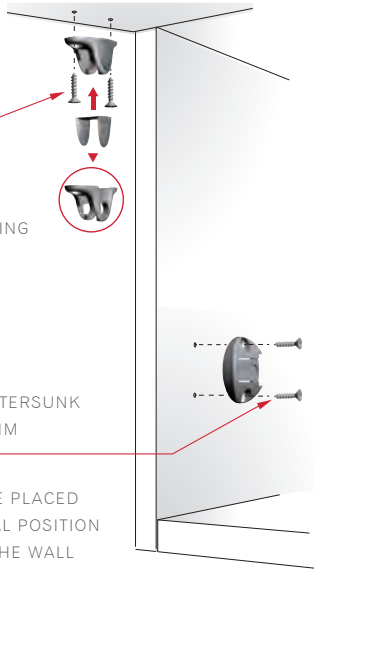
RECOMMENDED FIXING
COUNTERSUNK HEAD WOOD
SCREWS Ø4X16MM

VERY IMPORTANT
THE DOOR BRACKET HAS TO
BE PLACED IN THE VERTICAL
POSITION WITH THE SLOT FACING
FORWARDS

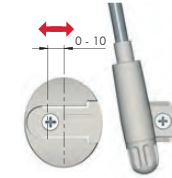


RECOMMENDED FIXING COUNTERSUNK
HEAD WOOD SCREWS Ø4X16MM

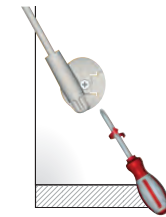
VERY IMPORTANT
THE SIDE BRACKET HAS TO BE PLACED
WITH THE SLOT IN HORIZONTAL POSITION
AND THE OPEN END FACING THE WALL



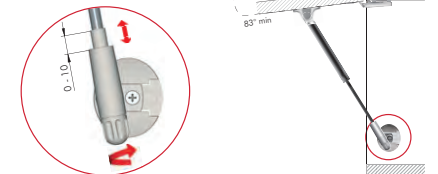
ADJUSTMENTS
FRONT TO BACK
ADJUSTMENT
0 - 10MM



LOCKING



OPEN ANGLE ADJUSTMENT 0 - 10MM



FRONT TO BACK ADJUSTMENT

THE OPENING AND CLOSING OF THE DOOR CAN BE CHANGED BY ADJUSTING THE POSITION OF THE PISTON BASE PLATE WITHIN THE SLOT:

- FORWARDS ADJUSTMENT = THE DOOR OPENS AUTOMATICALLY LATER (AUTOMATIC STAY ONLY) AND CLOSES AUTOMATICALLY IN ADVANCE (BOTH STAYS AUTOMATIC AND FRICTION).
- BACKWARDS ADJUSTMENT = THE DOOR OPENS AUTOMATICALLY IN ADVANCE (AUTOMATIC STAY ONLY) AND CLOSES AUTOMATICALLY LATER (BOTH STAYS AUTOMATIC AND FRICTION).

THE DIMENSIONS OF THE ABOVE DRILLING PLAN REFER TO CARCASSES WHICH USE STANDARD SPRUNG OR UNSPRUNG HINGES



LINK

FEATURES

- VERY SIMPLE DRILLING OPERATIONS THAT DON'T REQUIRE NEITHER MILLS NOR GROOVES
- SOFT OPENING AND SMOOTH CLOSING
- SIZE: 155X55X14MM
- MAX WEIGHT PER DOOR: **4 - 5KG AVERAGE**
- MAX SIZE PER DOOR: 900 X 400MM
- VERSIONS: SOFT OPENING & SMOOTH CLOSING
- MOUNTING BRACKET: RECESS AND SCREWED

SOFT OPENING AND SMOOTH CLOSING ARE GUARANTEED ONLY WHEN OPENING AND CLOSING CYCLES ARE FULLY CARRIED OUT.

ITEM 123 | LINK U262 BRUSHED NICKEL

SIZE | 155X55X14MM | RIH2067

SIZE | LINK A262 BRUSHED NICKEL

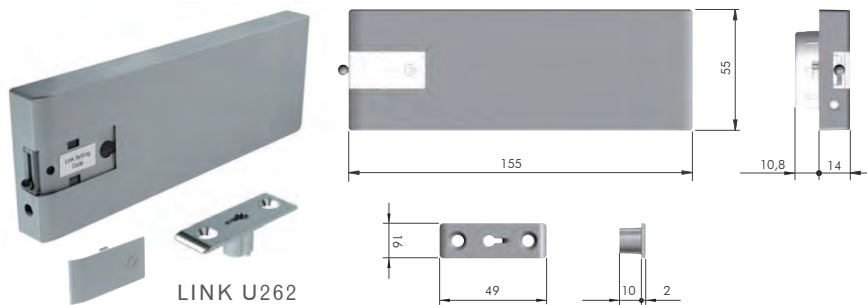
SIZE | 155X55X14MM | RIH2115

SIZE | LINK N262 BRUSHED NICKEL

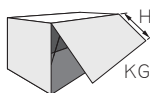
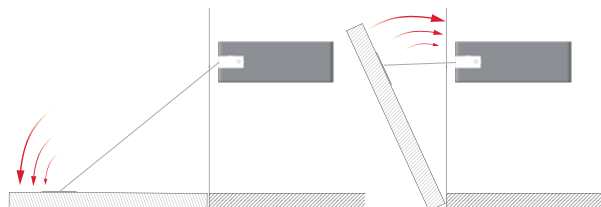
SIZE | 155X55X14MM | RIH2116

SIZE | LINK AL280 BRUSHED NICKEL

SIZE | 155X55X14MM | RIH2117



LINK U262



H	A262		N262		U262		AL280	
	KG	LINK	KG	LINK	KG	LINK	KG	LINK
250	2.0-2.9	X2	4.2-4.7	X2	4.7-5.6	X2	7.3-8.6	X2
	1.0-1.4	X1	2.0-2.4	X1	2.7-3.0	X1	3.6-4.9	X1
300	2.0-2.8	X2	3.7-4.1	X2	5.0-5.5	X2	6.4-7.3	X2
	1.0-1.2	X1	1.8-2.0	X1	2.3-2.6	X1	3.2-4.1	X1
350	1.7-2.1	X2	2.9-3.7	X2	4.1-4.7	X2	5.6-6.5	X2
	-	-	1.3-1.6	X1	1.8-2.0	X1	2.7-3.5	X1
400	1.5-1.9	X2	2.6-3.1	X2	3.5-4.0	X2	4.8-5.8	X2
	-	-	1.0-1.5	X1	1.7-1.9	X1	2.4-2.9	X1



KIMANA HINGES

FEATURES

- KIMANA IS THE NEW HINGE TO OPEN AND CLOSE **FLAP** AND **DROP-DOWN** DOORS. THE SMALL DIMENSIONS ($\varnothing 26$ MM BORING FOR BOTH THE DOOR AND THE BOTTOM),
- THE MINIMALISTIC AND ELEGANT DESIGN CONTRIBUTE TO MAKE KIMANA NOT ONLY A FUNCTIONAL HINGE, BUT ALSO A PRODUCT UNIQUE IN ITS GENRE.
- THE FIXING SCREWS ARE PERPENDICULAR, THUS MAKING KIMANA SUITABLE FOR PERFECT POSITIONING, AS WELL AS FOR ALUMINIUM PROFILES.
- KIMANA CAN BE EASILY ADJUSTED THROUGH THE SCREWS (PZ2) WHICH ARE HIDDEN UNDERNEATH THE COVER, SO THAT THE IDEAL MOVEMENT AND ALIGNMENT OF THE DOOR ARE GUARANTEED.

KIMANA HINGES FOR FLAP AND DROP-DOWN DOORS

ITEM 152 | KIMANA PART CABINET
| RIH2121



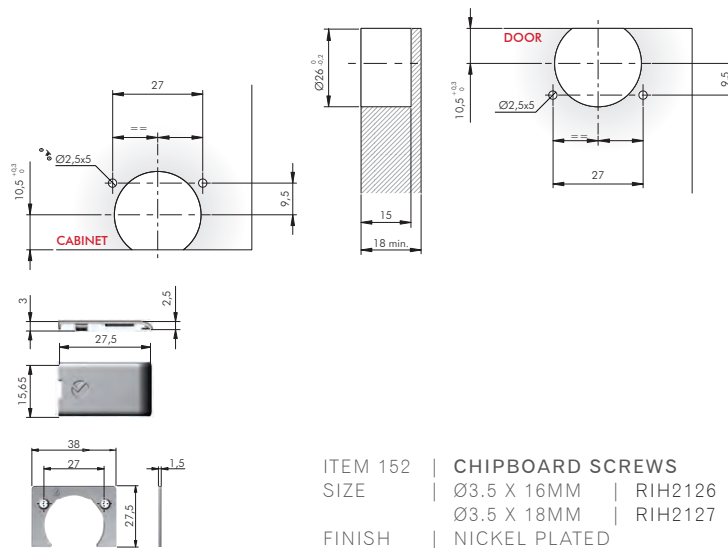
ITEM 152 | KIMANA PART DOOR
| RIH2122



ITEM 152 | KIMANA HINGE COVER
| RIH2123

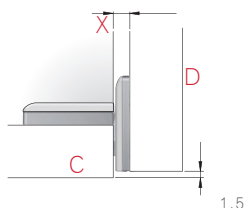


ITEM 152 | KIMANA HINGE SPACER H=2
| RIH2124
KIMANA HINGE SPACER H=4
| RIH2125 (use screw 3.5x18mm)



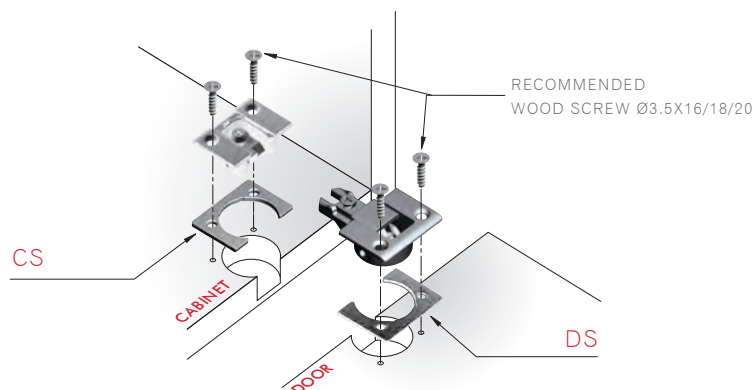
ITEM 152 | CHIPBOARD SCREWS
SIZE | $\varnothing 3.5$ X 16MM | RIH2126
 $\varnothing 3.5$ X 18MM | RIH2127
FINISH | NICKEL PLATED

KIMANA SPACER SIZE PER CABINET AND DOOR THICKNESS



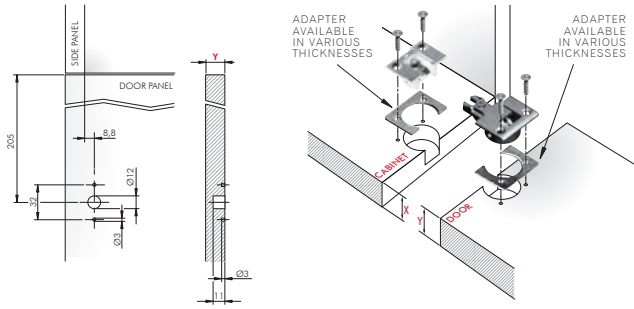
C	D	CS	DS	X	Y	Z
16	16	4	2	4	2.5	2.5
16	20	4	-	2	4.5	1.5
18	18	2	-	2	2.5	2.5
18	20	2	-	2	2.5	0.5

FULL SPACER PROGRAM FOR CABINET AND DOOR THICKNESS AVAILABLE AT WWW.RAIL.COM OR ON CD



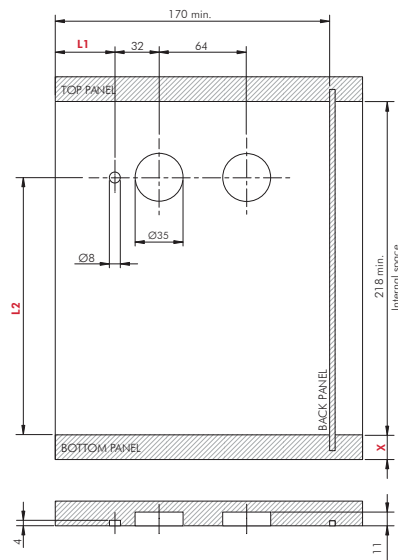


DOOR PANEL DRILLING PLAN

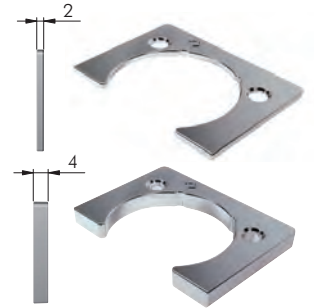


THE DIMENSIONS OF THE ABOVE DRILLING PLAN REFER TO CARCASS WHICH USE **KIMANA HINGES**

SIDE PANEL DRILLING PLAN



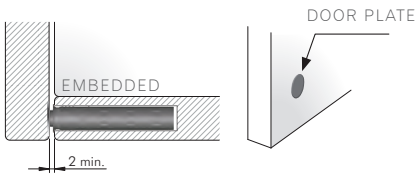
X+	Y+	L1	L2
16 + 4	16 + 2	43	187.5
16 + 4	19	44	187.5
18 + 2	18	43	185
18 + 2	19	44	185
19	16 + 2	42	185
19	19	43	185
20	20	43	185



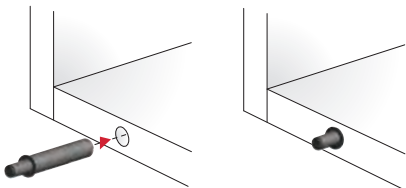
PUSH CATCHES - MAGNETIC OR WITH BUFFER FEATURES

- FOR AUTOMATIC OPENING SYSTEMS FOR DOORS WITHOUT HANDLES
- K PUSH TECH SHORT AVAILABLE WITH MAGNET AND BUFFER
- K PUSH TECH AVAILABLE IN THREE FINISHES - WHITE, GREY, ANTRACITE

WITH **MAGNET**
FOR CABINETS USING **UNSPRUNG HINGES**
OR **NEGATIVE HINGES**



EMBEDDED INSIDE THE PANEL



K TECH SHORT ARM WITH MAGNET USED WITH THE **K12 & KRABY** GAS STAY FOR **HANDLESS DOORS**. INSTALLATION ON CD.

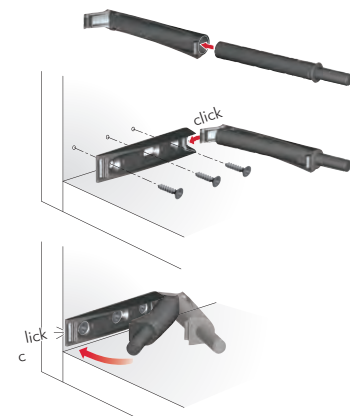
ITEM 144 | K PUSH TECH L20 WITH MAGNET
FINISH | WHITE | RIH2084
GREY | RIH2085
ANTHRACITE | RIH2086

ITEM 145 | K PUSH TECH L20 WITH BUFFER
FINISH | WHITE | RIH2087
GREY | RIH2088
ANTHRACITE | RIH2089

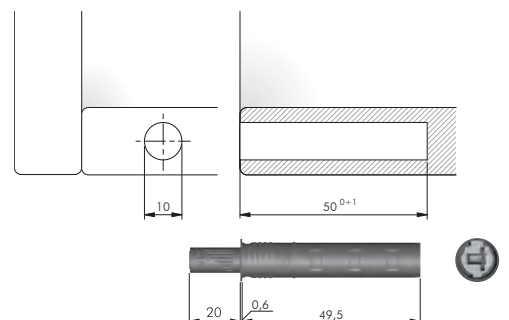
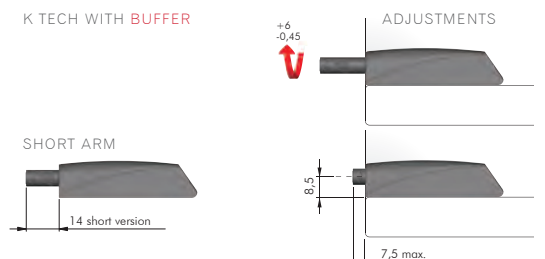
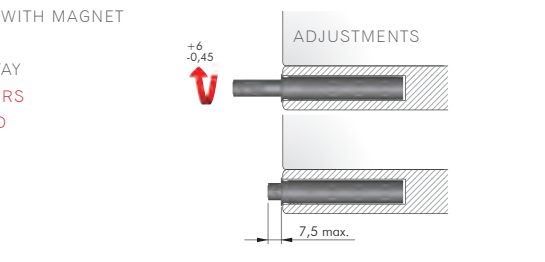
WITH **BUFFER**
FOR CABINETS USING **SPRUNG HINGES**



THROUGH ADAPTER HOUSING



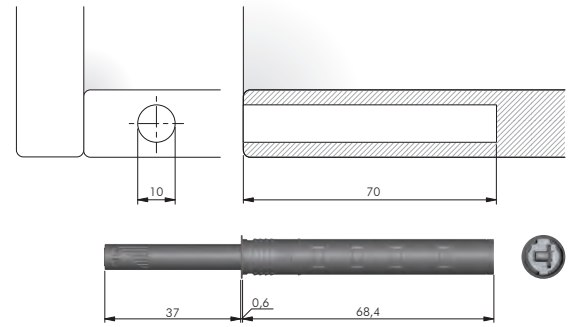
K TECH SHORT ARM WITH MAGNET USED WITH THE: **K12 & KRABY** GAS STAY FOR **HANDLESS DOORS** INSTALLATION ON CD



ITEM 147		K PUSH TECH LONG WITH BUFFER	
FINISH		WHITE	RIH2091
		GREY	RIH2092
		ANTHRACITE	RIH2093

ITEM 147		K PUSH TECH LONG WITH BUFFER - STRONG	
FINISH		WHITE	RIH2106
		GREY	RIH2107
		ANTHRACITE	RIH2108
		• USED FOR TALL DOORS	

ITEM 152		K PUSH TECH LONG WITH MAGNET	
FINISH		WHITE	RIH2103
		GREY	RIH2104
		ANTHRACITE	RIH2105

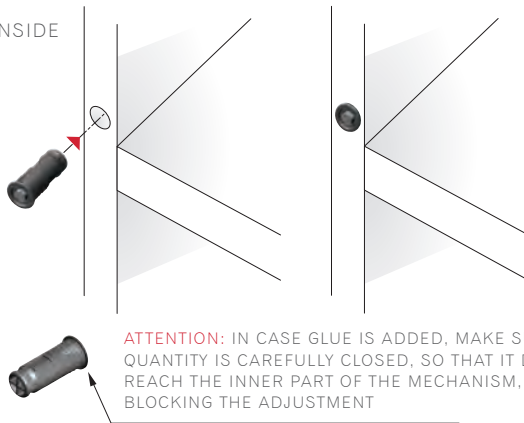


K LOCK - MAGNETIC CATCHER

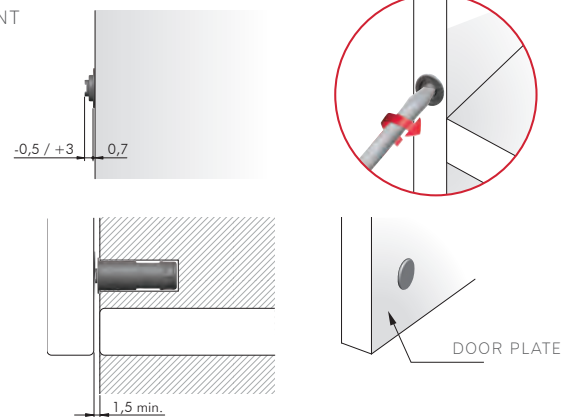
FEATURES

- KEEPS THE DOOR SAFELY CLOSED
- SUITABLE FOR UNSPRUNG HINGES
- AVAILABLE IN THREE FINISHES- WHITE, GREY, ANTRACITE

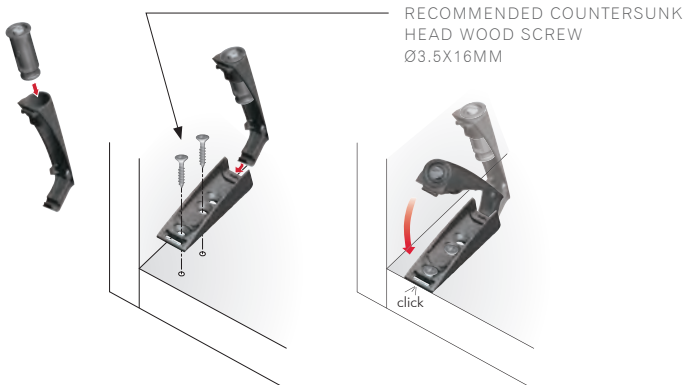
EMBEDDED INSIDE THE PANEL



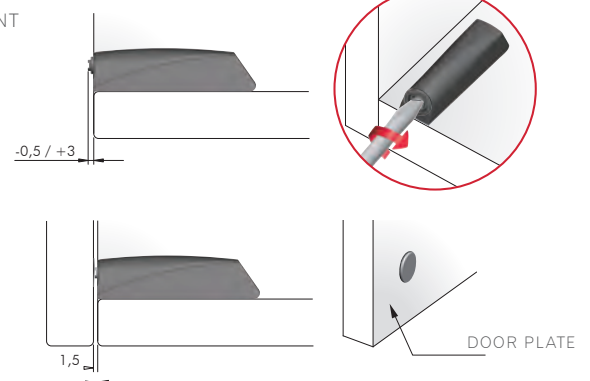
ADJUSTMENT



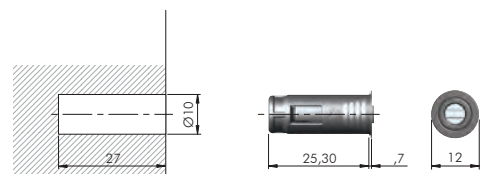
THROUGH ADAPTER HOUSING



ADJUSTMENT



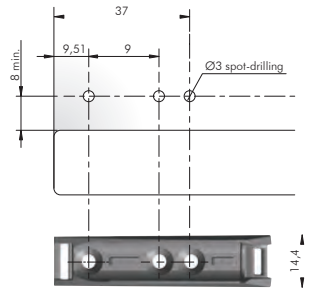
ITEM 150		K LOCK WITH MAGNET	
FINISH		WHITE	RIH2100
		GREY	RIH2101
		ANTHRACITE	RIH2102



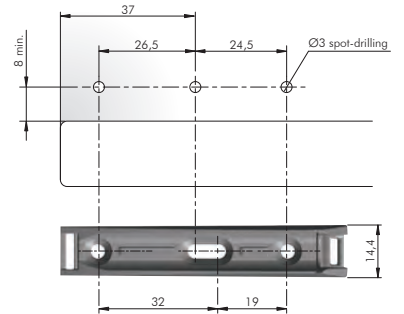
K LOCK WITH MAGNET USED WITH THE **KRABY** GAS STAY DROP DOWN FOR **HANDLESS DOORS**. INSTALLATION ON CD.



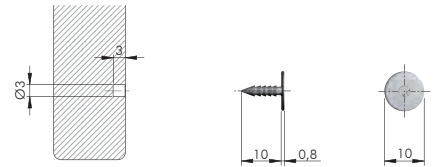
ITEM 148 | **K PUSH TECH HOUSING**
 FINISH | WHITE | RIH2094
 | GREY | RIH2095
 | ANTHRACITE | RIH2096



ITEM 149 | **K PUSH TECH LONG HOUSING**
 FINISH | WHITE | RIH2097
 | GREY | RIH2098
 | ANTHRACITE | RIH2099



ITEM 146 | **K PUSH TECH DOOR PLATE**
 FINISH | NICKEL | RIH2090



SHELF SUPPORTS & FASTENERS

FEATURES

- VERY SIMPLE DRILLING OPERATIONS
- PROVIDES THE FURNITURE WITH STRUCTURAL FASTENING
- EASY CLIP IN AND SHELF RELEASE

K-LINE



FUNCTIONAL SOLUTION & ELEGANT SHAPE USED FOR BOTH WOOD AND GLASS SHELVES.

FLIPPER MIN PANEL THICKNESS 14MM



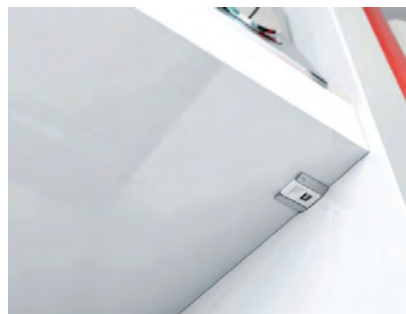
PROVIDES STRUCTURAL FASTENING. THE SHELF FLUSHES WITH THE SIDES DUE TO THE ANGLED SHAPE OF THE SHELF SUPPORT SOCKET.

MAORI MIN PANEL THICKNESS 16MM



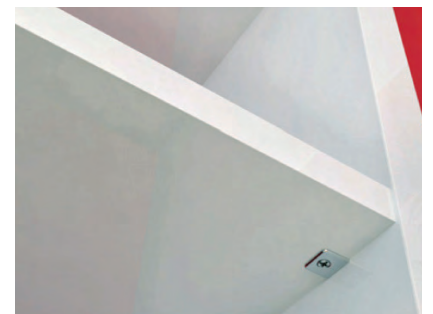
IDEAL FOR MODULAR CABINETS AND FURNITURE. THE ROUND LEDGE FLUSHES WITH THE LOWER SIDE OF THE SHELF MAKING IT AESTHETICALLY ELEGANT.

UNICO MIN PANEL THICKNESS 15MM



IDEAL FOR MODULAR CABINETS AND FURNITURE. EASY REPOSITIONING OF THE SHELF BY THE CLICK RELEASE CLIP.

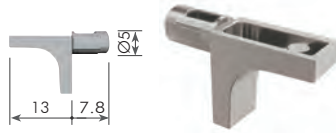
PK2 MIN PANEL THICKNESS 16MM



PROVIDES STRUCTURAL FASTENING, IT ALLOWS TO JOIN TOGETHER ANY SIDE AND SHELF, INCLUDING BOTTOM AND TOP.

SHELF SUPPORTS

ITEM 821 | K-LINE SHELF SUPPORT Ø5MM
FINISH | NICKEL PLATED | RIH2068



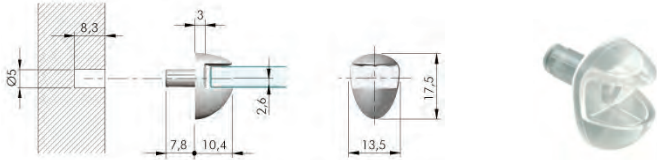
ITEM 127 | K-LINE ADD ON RUBBER
FINISH | CLEAR | RIH2069



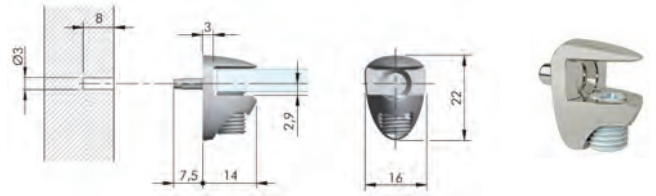
OPTIONAL

GLASS SHELF SUPPORTS

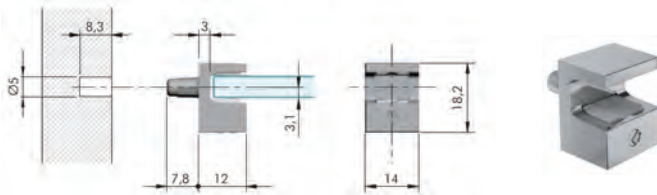
ITEM 179 | GEKO GLASS SUPPORT 6MM
FINISH | TRANSPARENT | RIH1997



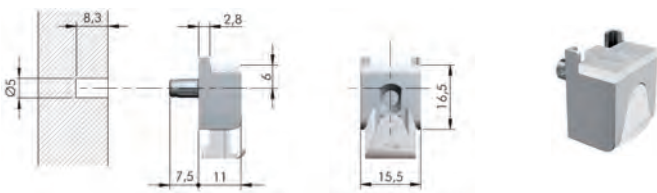
ITEM 183 | COBRA GLASS SUPPORT 5-6MM
FINISH | NICKEL PLATED | RIH1892



ITEM 181 | KRISTAL GLASS SUPPORT 5-6MM
FINISH | NICKEL PLATED | RIH1891



ITEM 185 | KUBIC GLASS SUPPORT BODY
FINISH | NICKEL PLATED | RIH1893



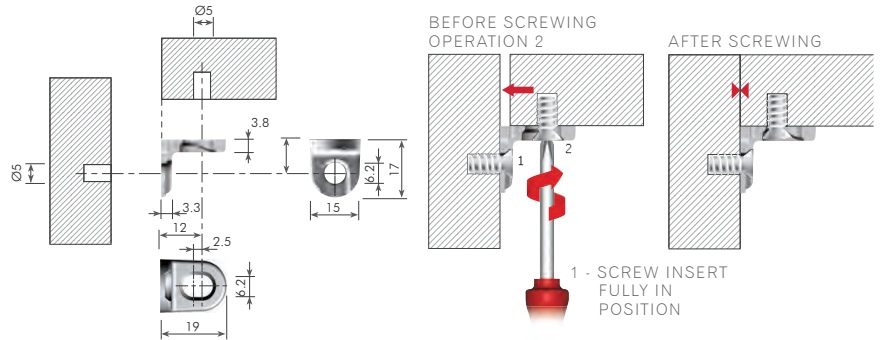
ITEM 185 | KUBIC GLASS SUPPORT UPPER PART
FINISH | NICKEL PLATED | RIH1894



RIH1893 AND RIH1894 ARE SOLD TOGETHER

SHELF FASTENERS

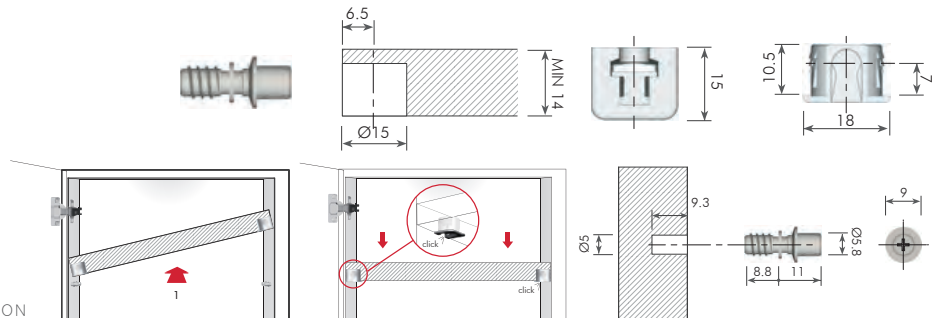
ITEM 128 | PULL IN BRACKET
FINISH | NICKEL PLATED | RIH2070
SCREW | RIH2071



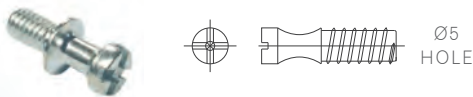
ITEM 130 | FLIPPER SHELF SUPPORT
FINISH | WHITE | RIH2072
ITEM 130 | FLIPPER SHELF SUPPORT PIN Ø5MM
FINISH | ZINC | RIH2073
ITEM 130 | FLIPPER DRILL BIT Ø15MM
RIH2074



SHELF INSTALLATION



ITEM 1143 | RAFIX PIN WITH EURO THREAD
RIH1128



ITEM 1145 | M4 CONNECTING BOLT FOR SLEEVE
RIH1130



ITEM 133 | PK2 SHELF SUPPORT
FINISH | WHITE | RIH2075

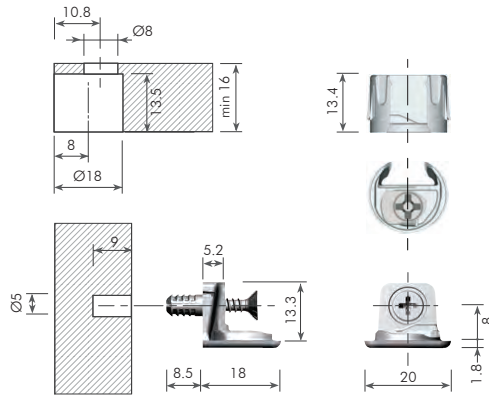
ITEM 134 | PK2 MEMBER FIXING WITH
Ø5MM DOWEL
FINISH | ZINC | RIH2076

ITEM 135 | Ø8MM ADHESIVE HOLE COVER
FINISH | WHITE | RIH2077

ITEM 136 | PK2 TEMPLATE
FINISH | BLACK | RIH2078

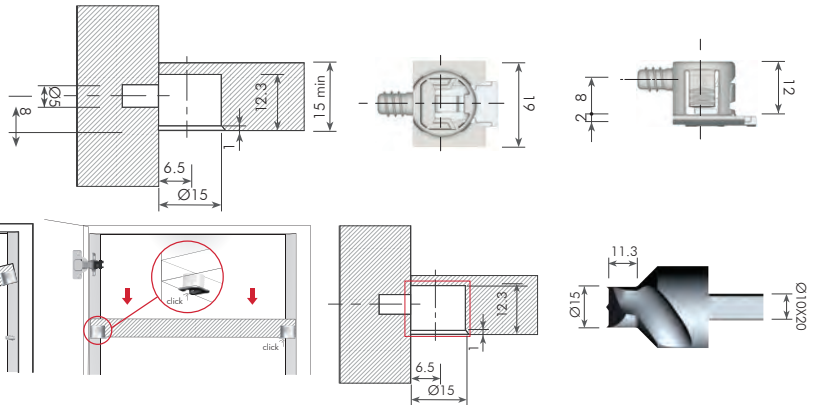
ITEM 137 | DRILL BIT Ø18MM
| RIH2079

ITEM 138 | DRILL BIT Ø8MM
| RIH2080

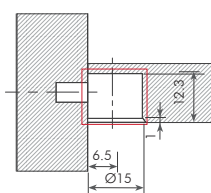
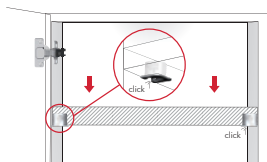
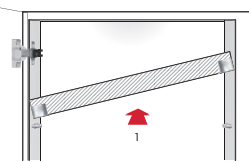


ITEM 139 | UNICO SHELF SUPPORT Ø5MM
FINISH | NICKEL PLATED | RIH2081

ITEM 140 | UNICO DRILL BIT Ø8MM
| RIH2082



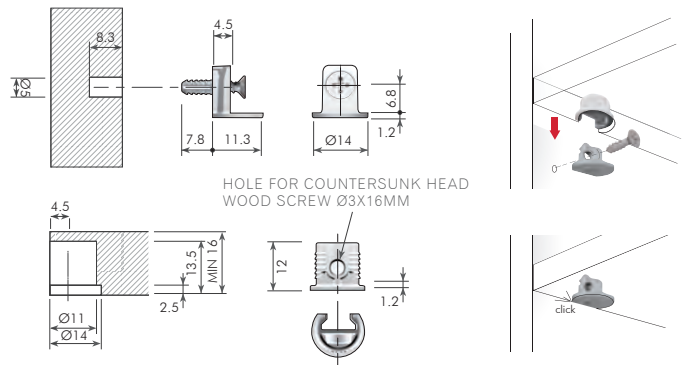
SHELF INSTALLATION



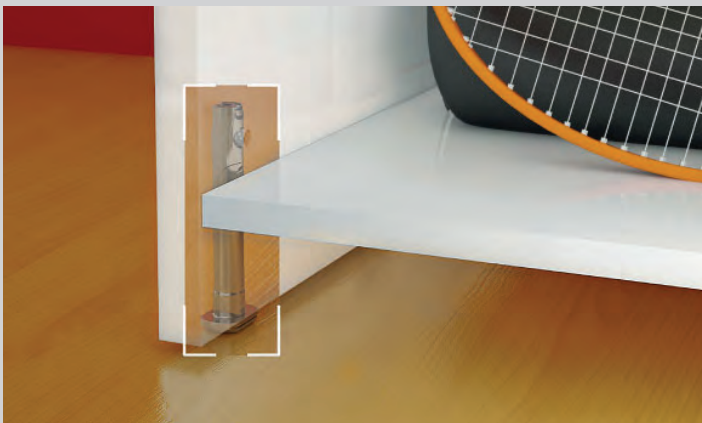
ITEM 141 | MAORI SHELF SUPPORT
FINISH | GREY | RIH2118

ITEM 142 | MAORI MEMBER FIXING WITH
Ø5MM DOWEL
FINISH | ZINC | RIH2119

ITEM 143 | MAORI STEP DRILL
| RIH2120

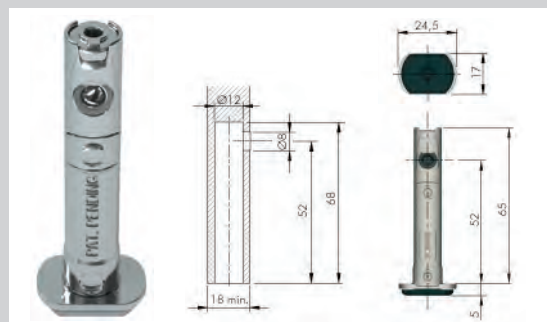


REKORD 12 - LEVELLER



ITEM 225 | REKORD SIDE PANEL LEVELLER
CODE | RIH1975

- LOADING CAPACITY - 120KG
- ADJUSTMENT - 0 - 12MM





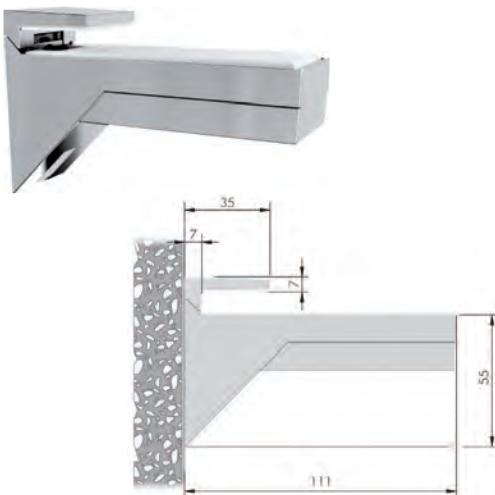
KALABRONE - WOOD & GLASS SHELF SUPPORT

FEATURES

- KALABRONE IS THE NEW SHELF SUPPORT FOR FREE-STANDING SHELVES.
- SUITABLE FOR SHELVES FROM 8 - 30MM THICK.
- GUARANTEED **LOADING CAPACITY OF 25KG** FOR EACH SUPPORT WITH SHELF 320MM DEEP.
- KALABRONE COMES WITH 2 ADJUSTMENTS:
 - VERTICAL: THROUGH THE OVAL HOLE POSITIONED ON THE UPPER BRACKET
 - INCLINATION: THROUGH AN ADJUSTABLE SCREW POSITIONED ON THE MAIN SUPPORT.

ITEM 188 | KLABRONE SHELF SUPPORT
FINISH | STAINLESS STEEL | RIH1895

NOTE: KALABRONE IS SUPPLIED IN CARTON BOX INCLUDING 2 PIECES, ACCESSORIES AND FITTING GUIDE. FIXING SCREWS TO WALL NOT INCLUDED.



SHELF LOCKING AND INCLINATION ADJUSTMENT

320 MAX

cross PH2 screwdriver

Inclination adjustment

3 MAX

COMBINATION SHELF LOAD AND SHELF DEPTH
(THE FIGURE REFER TO 1 SHELF SUPPORT)

LOAD IN KG

DEPTH IN MM

320 MAX

+ shelf weight = 25KG MAX for each shelf support



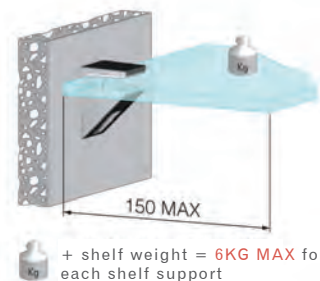
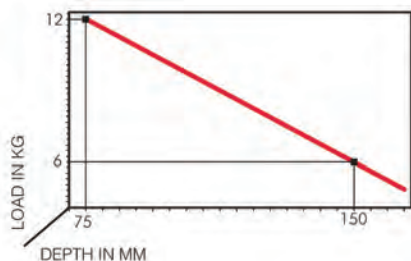
KALABRONE MINI - WOOD & GLASS SHELF SUPPORT

FEATURES

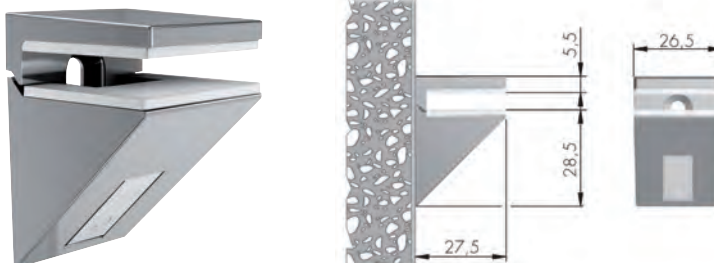
- KALABRONE MINI IS THE NEW SHELF SUPPORT FOR FREE-STANDING SHELVES.
- SUITABLE FOR SHELVES FROM 5 - 10MM THICK.
- GUARANTEED **LOADING CAPACITY OF 6KG** FOR EACH SUPPORT WITH SHELF 150MM DEEP.
- KALABRONE COMES WITH A VERTICAL ADJUSTMENT THROUGH THE OVAL HOLE POSITIONED ON THE UPPER BRACKET.

SHELF LOCKING

COMBINATION SHELF LOAD AND SHELF DEPTH (THE FIGURE REFER TO 1 SHELF SUPPORT)



ITEM 189 | KLABRONE MINI SHELF SUPPORT
FINISH | BRIGHT CHROME | RIH1896





CAMAR - HEAVY DUTY HANGING BRACKETS

FEATURES

- THE NEW PATENTED 807 HANGING SYSTEM IS A REVOLUTION FOR THE WORLD OF SUSPENDED BASE CABINETS. MADE TOTALLY IN METAL, IT HAS A THICKNESS OF ONLY 10MM, AND IS ABLE TO SUPPORT VERY HEAVY LOADS WITH A GUARANTEE OF SAFETY.
- THE INNOVATIVE AND REVOLUTIONARY ANTI-DROP SYSTEM WHICH IS ACTIVATED AUTOMATICALLY WHEN THE BRACKET IS HOOKED INTO THE WALL PLATE AND PREVENTS THE CABINET FROM ACCIDENTALLY FALLING FROM THE WALL.
- TESTED TO EUROPEAN NORMS EN14749, EN14688 AND ISO 7170, IT HAS A DECLARED LOADING CAPACITY OF **120KG**, WHICH IS STAMPED ON EACH PIECE.
- VERY EASY TO FIT, THROUGH 4 X 10MM DIAMETER HOLES IN THE SIDE PANEL OF THE CABINET, WHERE THE 4 DOWELS ARE INSERTED, IT HAS AN ADJUSTMENT RANGE OF 19MM HORIZONTALLY AND 22MM VERTICALLY.
- THE SYSTEM IS COMPLETED BY A COMPATIBLE COVER IN PLASTIC. LOAD CAPACITY: **120KG** PER BRACKET.

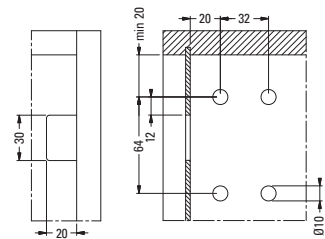
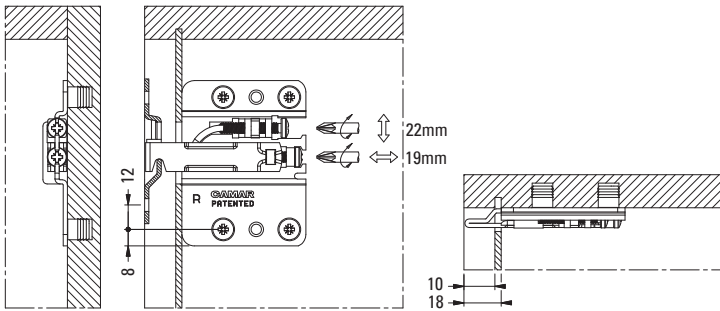
IT IS THE RESPONSIBILITY OF THE CUSTOMER:

- TO ENSURE THE WALL IS OF A SUITABLE QUALITY TO HOLD SHELF FIXING IN PLACE.
- TO USE THE PROPER HARDWARE FITTINGS ACCORDING TO CONSTRUCTION WALL.



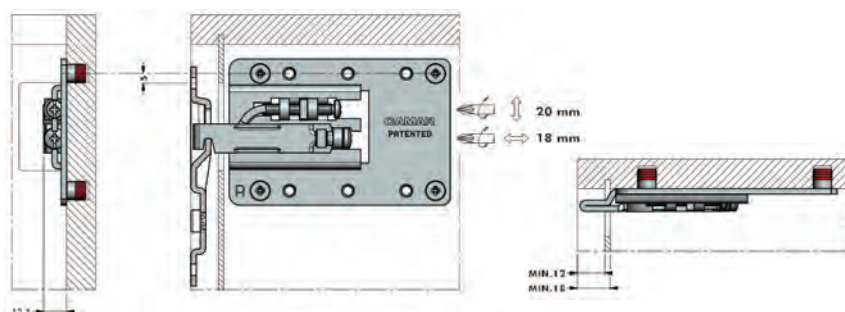
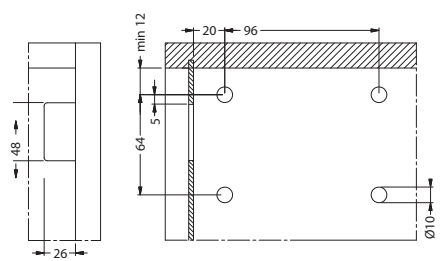
ITEM 1657 | HEAVY DUTY HANGING BRACKETS

MATERIAL	ZINC ALLOY & STEEL
RIGHT BASE CABINET HANGER	RIH1488
LEFT BASE CABINET HANGER	RIH1489
ANTI DROP WALL PLATE	RIH1490
RIGHT WHITE COVER CAP	RIH1486
LEFT WHITE COVER CAP	RIH1487



ITEM 1130 | HEAVY DUTY HANGING BRACKETS XL

MATERIAL	ZINC ALLOY & STEEL
RIGHT BASE CABINET HANGER XL	RIH1700
LEFT BASE CABINET HANGER XL	RIH1701
ANTI DROP WALL PLATE XL	RIH1702
HANGING BRACKET COVER CAP XL	RIH1703

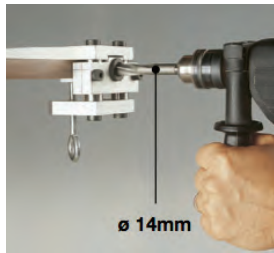
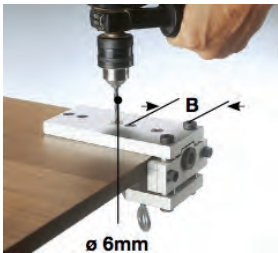
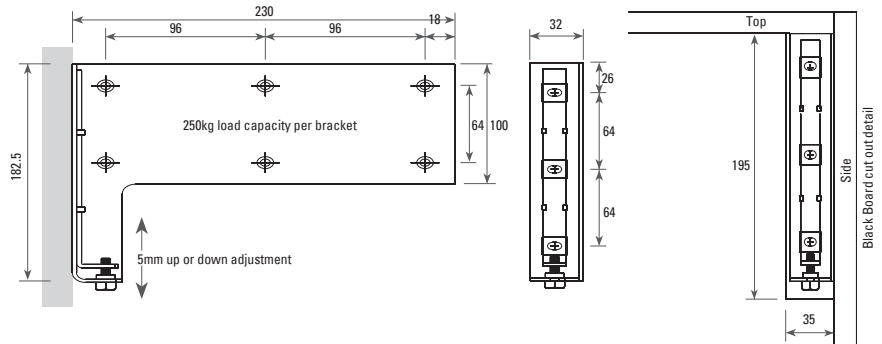
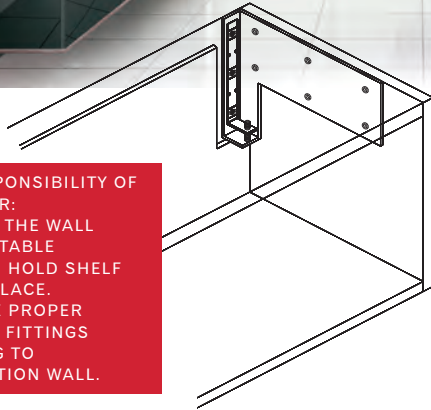




ITEM 1653 | HEAVY DUTY FLOATING BRACKETS
 MATERIAL | ZINC ALLOY & STEEL
 | PER PAIR | RIH1427
 • LOADING CAPACITY IS **250KG** PER BRACKET
 • 2.5MM STEEL

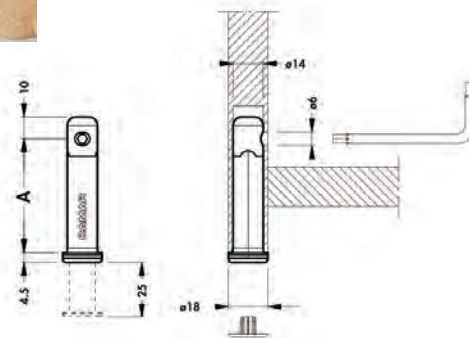


IT IS THE RESPONSIBILITY OF THE CUSTOMER:
 • TO ENSURE THE WALL IS OF A SUITABLE QUALITY TO HOLD SHELF FIXING IN PLACE.
 • TO USE THE PROPER HARDWARE FITTINGS ACCORDING TO CONSTRUCTION WALL.

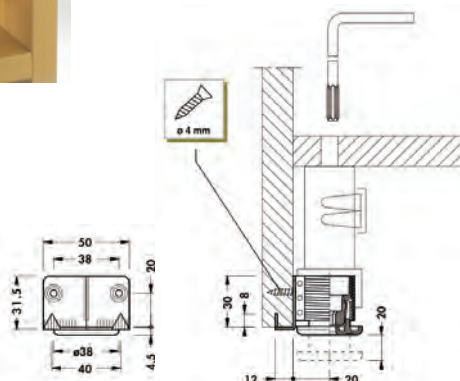


ITEM 50 | SIDE PANEL LEVELLER WITH ADJUSTER
 SIDE PANEL LEVELLER | RIH1706
 ITEM 53 | PLASTIC FOOT FOR SIDE PANEL LEVELLER | RIH1707
 DRILLING JIG | RIH1708

• LOADING CAPACITY IS **150KG** PER ADJUSTER

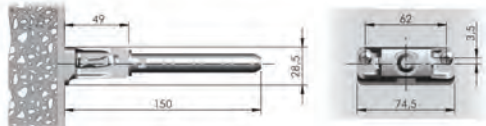


ITEM 51 | SIDE LEVELLER WITH ADJUSTER
 SIDE LEVELLER | RIH1704
 KEY FOR LEVELLER | RIH1705
 • LOADING CAPACITY IS **100KG** PER ADJUSTER





ITEM 1662 | CONCEALED HEAVY DUTY TRIADE MAXI
 MATERIAL | ZINC ALLOY & STEEL
 CODE | RIH1530



VERY IMPORTANT

- CENTRE OF THE HOLE IS SHIFTED 3,5MM UPWARDS
- PLEASE KEEP IN MIND WHEN LEVELLING THE SHELF

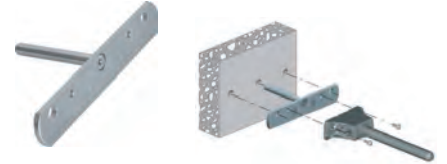
TRIADE MAXI - HEAVY DUTY SHELF SUPPORT

FEATURES

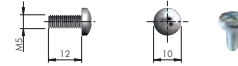
- TRIADE MAXI IS A CONCEALED MOUNTING BRACKET FOR SHELVES, MINIMUM 40MM THICK.
- IT IS PROVIDED WITH THREE INDEPENDENT ADJUSTMENTS: VERTICAL, HORIZONTAL AND INCLINATION
- THE LOADING CAPACITY IS **20KG** PER BRACKET (SHELF WEIGHT INCLUDED) FOR A SHELF MAXIMUM 400MM DEEP
- SHELF MINIMUM DEPTH IS 200MM

OPTIONAL BRACKET

ITEM 212 | BRACKET FOR TRIADE
 CODE | RIH1899

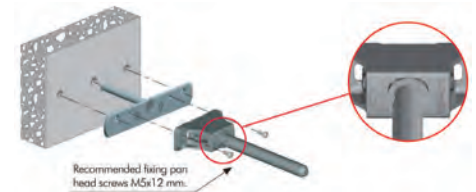


ITEM 211 | PANHEAD SCREW M5 X 12MM
 CODE | RIH1898



FIXING TO A CEMENT WALL

- VERY IMPORTANT**
- TRIADE MAXI HAS TO BE INSTALLED WITH THE ARROW FACING UPWARDS
 - TO CEMENT WALL WITH RAWL PLUGS Ø8MM AND PAN HEAD SCREWS Ø5 X 50MM
 - **IT IS THE RESPONSIBILITY OF THE CUSTOMER TO ENSURE THE WALL IS OF A SUITABLE QUALITY TO HOLD THE SHELF FIXING IN PLACE**



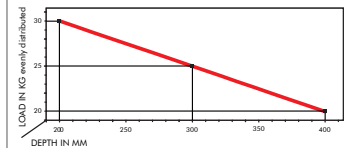
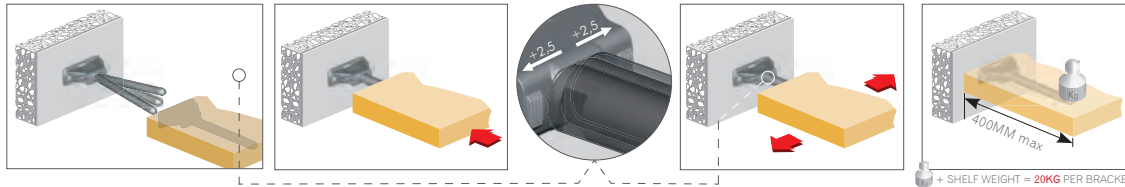
SHELF INSERTING & HORIZONTAL ADJUSTMENT

TILT THE SHELF TO MATCH BOTH SUPPORTING PINS AND SHELF HOUSINGS

INSERT THE SHELF PARTIALLY

ADJUST THE SHELF HORIZONTALLY ACCORDING TO THE APPLICATION (I.E. MULTI-SHELF COMPOSITION)

COMBINATION SHELF LOAD AND SHELF DEPTH (THE FIGURES REFER TO **ONE** SHELF SUPPORT)



ITEM 201 | SHELF SUPPORT HEAVY DUTY TRIADE
 MATERIAL | ZINC ALLOY & STEEL
 CODE | RIH1897



- VERY IMPORTANT**
- CENTRE OF THE HOLE IS SHIFTED 3,5MM UPWARDS
 - PLEASE KEEP IN MIND WHEN LEVELLING THE SHELF

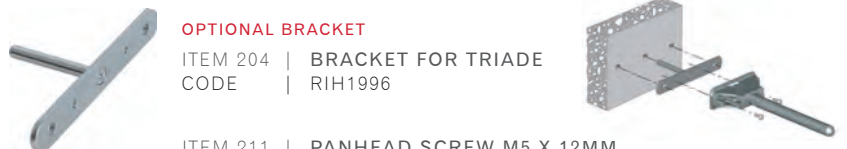
TRIADE - HEAVY DUTY SHELF SUPPORT

FEATURES

- TRIADE IS A CONCEALED MOUNTING BRACKET FOR SHELVES, MINIMUM 25MM THICK
- IT IS PROVIDED WITH THREE INDEPENDENT ADJUSTMENTS: VERTICAL, HORIZONTAL AND INCLINATION
- THE LOADING CAPACITY IS **15KG** PER BRACKET (SHELF WEIGHT INCLUDED) FOR A SHELF MAXIMUM 300MM DEEP
- SHELF MINIMUM DEPTH IS 160MM

OPTIONAL BRACKET

ITEM 204 | BRACKET FOR TRIADE
 CODE | RIH1996

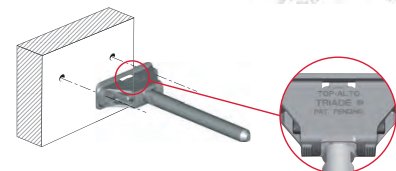


ITEM 211 | PANHEAD SCREW M5 X 12MM
 CODE | RIH1898



FIXING TO A CEMENT WALL

- VERY IMPORTANT**
- TRIADE HAS TO BE INSTALLED WITH THE ARROW FACING UPWARDS
 - TO CEMENT WALL WITH RAWL PLUGS Ø8MM AND PAN HEAD SCREWS Ø5 X 50MM
 - **IT IS THE RESPONSIBILITY OF THE CUSTOMER TO ENSURE THE WALL IS OF A SUITABLE QUALITY TO HOLD THE SHELF FIXING IN PLACE**



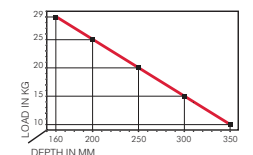
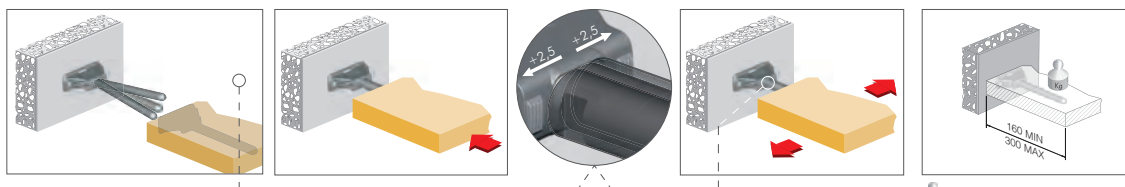
SHELF INSERTING & HORIZONTAL ADJUSTMENT

TILT THE SHELF TO MATCH BOTH SUPPORTING PINS AND SHELF HOUSINGS

INSERT THE SHELF PARTIALLY

ADJUST THE SHELF HORIZONTALLY ACCORDING TO THE APPLICATION (I.E. MULTI-SHELF COMPOSITION)

COMBINATION SHELF LOAD AND SHELF DEPTH (THE FIGURES REFER TO **ONE** SHELF SUPPORT)



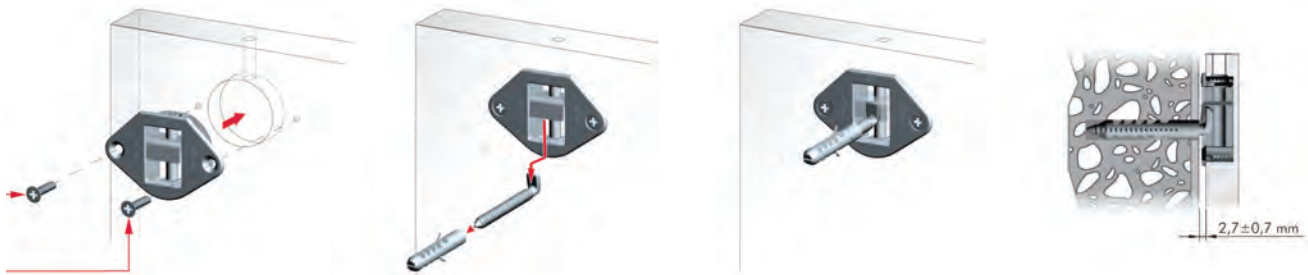


CONCEALED HANGER

FEATURES

- CONCEALED HANGING BRACKET FOR FIXING MIRRORS, PANELS AND SMALL WALL CABINETS.
- IT IS SLOTTED INTO THE REAR PANEL BY MAKING FACE BORING.
- A Ø5MM THROUGH HOLE IN THE TOP EDGE, ALLOWS TO ALIGN BRACKETS VERTICALLY, BY USING A CROSS SCREWDRIVER.
- LOADING CAPACITY:
 - MIRRORS AND PANELS: **80KG PER PAIR.**
 - SMALL WALL CABINET: **50KG PER PAIR** (EMPIRICAL TEST WITH UNIT (600 X 600 X 250MM))
- IT IS THE RESPONSIBILITY OF THE CUSTOMER TO VERIFY THAT THE WALL IS IN CONDITION AND OF SUFFICIENT QUALITY TO SUPPORT THE FIXING AND THAT THE TOOLS USED ARE COMPATIBLE WITH THE SURFACE ON WHICH CONCEALED HANGER IS INTENDED TO BE FIXED.
- **NO GUARANTEE FOR THE STRENGTH OF THE CONCEALED HANGER IN THE ABSENCE OF ADEQUACY OF LOAD-BEARING WALL.**

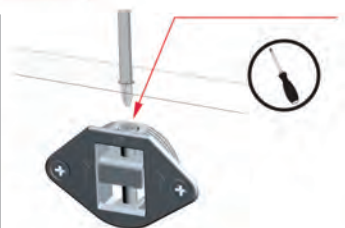
INSTALLATION ON THE REAR PANEL AND ON THE WALL



RECOMMENDED FIXING COUNTERSUNK HEAD WOOD SCREWS Ø3.5MM



ALTERNATIVE APPLICATION FOR SMALL UNIT



P22 CROSS SCREWDRIVER

LATERAL ADJUSTMENT

10MM

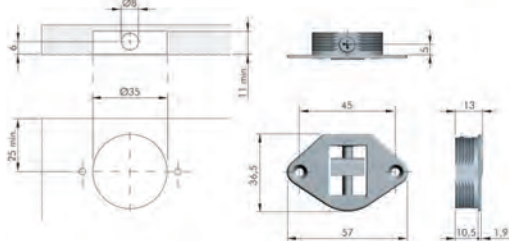
VERTICAL ADJUSTMENT

11MM

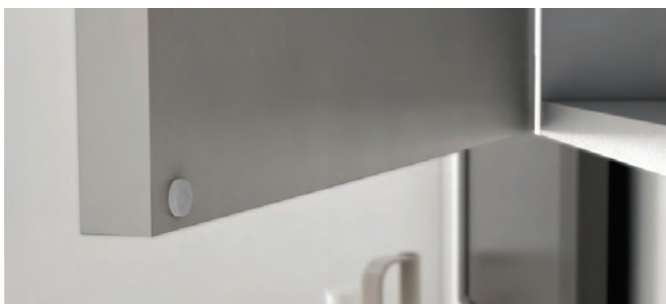
ADJUSTMENTS

CONCEALED HANGER

SET 2 EACH SET INCLUDES WOOD SCREWS, RAWL PLUGS AND HOOK SCREWS.



ITEM 254 | CONCEALED HANGING BRACKET
 SIZE | Ø35MM WITH HOOK
 CODE | RIH1995



BI-MATERIAL - DOOR BUMPER

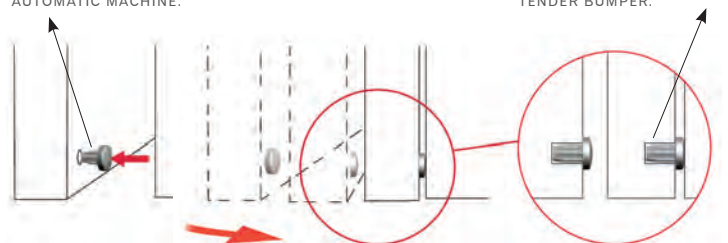
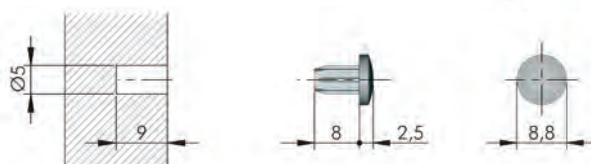
FEATURES

- THE DOOR BUMPER BI-MATERIAL IS THE RESULT OF A PARTICULAR TECHNOLOGY THAT ALLOWS TO MELT TOGETHER TWO DIFFERENT MATERIALS: ONE STIFF AND THE OTHER EXTREMELY TENDER.
- THE STIFF PART ALLOWS AN EASY AND SAFE PLACING ON THE HOLE SIDE, BOTH MANUAL AND BY AN AUTOMATIC MACHINE.

THE STIFF PART ALLOWS AN EASY AND SAFE PLACING ON THE HOLE SIDE, BOTH MANUAL AND BY AN AUTOMATIC MACHINE.

WHEN THE DOOR CLOSES, THE IMPACT OF THE DOOR IS SENSIBLY ABSORBED BY OUTER TENDER BUMPER.

ITEM 253 | DOOR BUFFER BI-MATERIAL
 FINISH | NATURAL
 CODE | RIH1994





LIBRA H1 - HANGERS

FEATURES

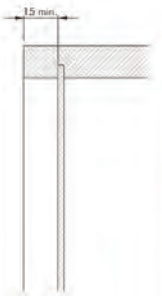
- THE LIBRA HANGERS ARE TO BE INSTALLED BEHIND THE REAR PANEL WITH THE ONLY SMALL COVER CAPS LEFT VISIBLE INSIDE THE CABINET.
- THE LIBRA FAMILY FEATURE AN INNOVATIVE **ANTI-TURNOVER** DEVICE WHICH IS COVERED BY PATENT.
- LIBRA CABINET HANGERS ALLOW TO ADJUST THE CABINET VERTICALLY AND HORIZONTALLY. THE 2 MOVEMENTS ARE 100% INDEPENDENT OF EACH OTHER AND THEREFORE MAKE THE ADJUSTMENTS MUCH EASIER AND MORE EFFICIENT.
- **LOADING CAPACITY IS 75KG** PER PIECE.

DRILLING PLAN FOR LIBRA H1 FIXED UNDER THE CABINET TOP

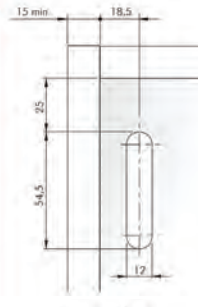
ITEM 228 | LIBRA H1 HANGER
CODE | RIH1976



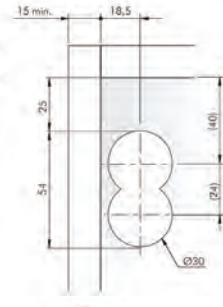
SIDE PANEL AND SERVICE GAP



BACK PANEL
Libra CC1-CC4-CC5 cover cap



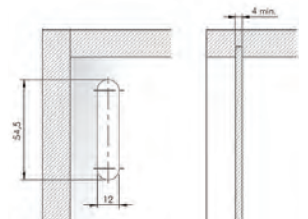
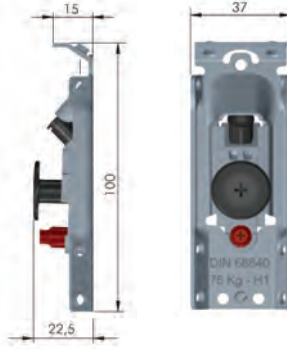
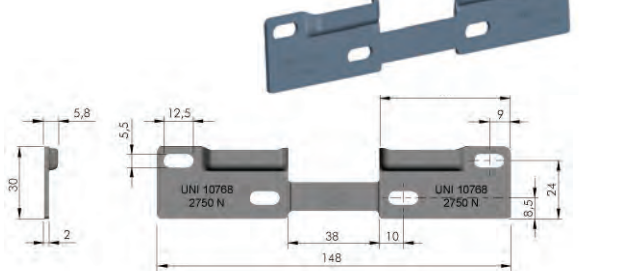
Libra CC2 cover cap



ITEM 232 | OVAL COVER CAP
FINISH | WHITE | RIH1978

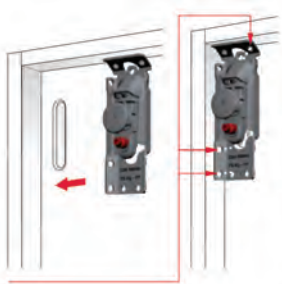


ITEM 229 | WP1 WALL PLATE
CODE | RIH1977



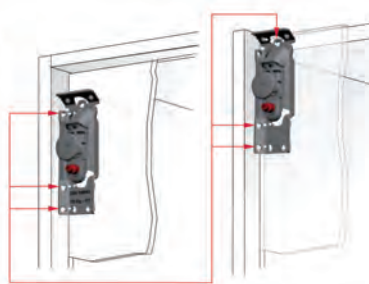
INSTALLATION

INSTALLATION UNDER THE CABINET TOP



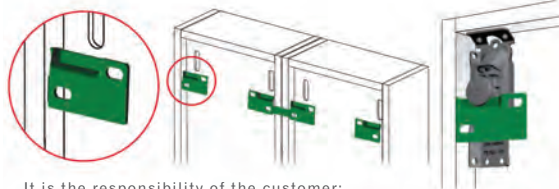
recommended fixing countersunk head wood screws Ø3.5x20mm

ALTERNATIVE INSTALLATIONS



recommended fixing countersunk head wood screws Ø3.5x20mm

INSTALLATION ON THE WALL
- for details refer to 'LIBRA WALL PLATES'



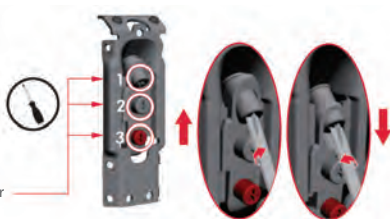
It is the responsibility of the customer:
• to ensure that the wall is of a suitable quality to hold the unit fixing in place.
• to use the proper hardware fittings according to the construction of the wall.

COVER CAP INSERTING
- for details refer to "LIBRA COVER CAPS"



ADJUSTING

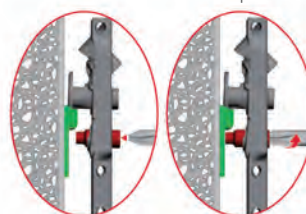
1 VERTICAL ADJUSTMENT
13MM



2 IN-DEPTH ADJUSTMENT
12MM



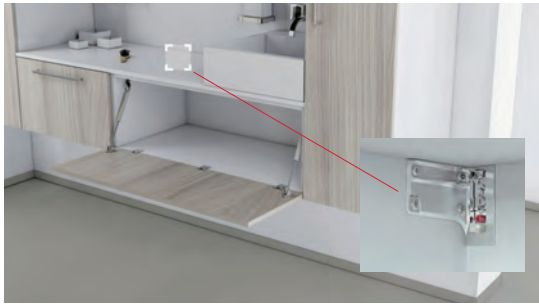
3 ANTI-TURNOVER LOCKING
stop screwing the red bolt when it touches the wall plate



LIBRA H7 - HANGERS - OPTIONAL VERSION

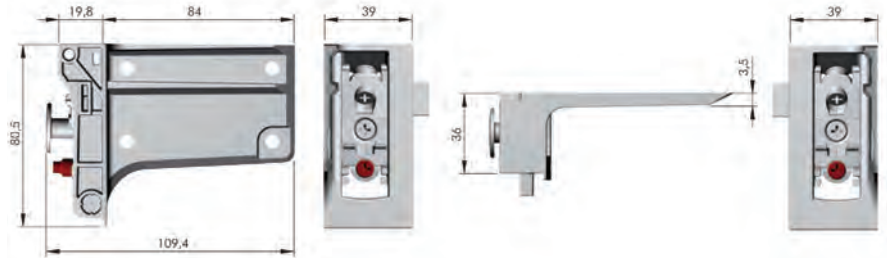
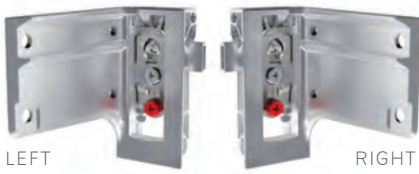
FEATURES

- THE LIBRA HANGERS ARE TO BE INSTALLED BEHIND THE REAR PANEL WITH THE ONLY SMALL COVER CAPS LEFT VISIBLE INSIDE THE CABINET.
- THE LIBRA FAMILY FEATURE AN INNOVATIVE **ANTI-TURNOVER** DEVICE WHICH IS COVERED BY PATENT.
- LIBRA CABINET HANGERS ALLOW TO ADJUST THE CABINET VERTICALLY AND HORIZONTALLY. THE 2 MOVEMENTS ARE 100% INDEPENDENT OF EACH OTHER AND THEREFORE MAKE THE ADJUSTMENTS MUCH EASIER AND MORE EFFICIENT.
- **LOADING CAPACITY IS 75KG PER PIECE.**

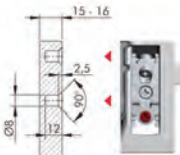


LIBRA H7 SCREW FIXING "PEG JOINT" FOR OPTIONAL ALUMINIUM BAR

ITEM 241/242 | LIBRA H7 SCREW FIXING WITH "PEG JOINT"
 CODE | RIGHT | RIH1983
 | LEFT | RIH1984

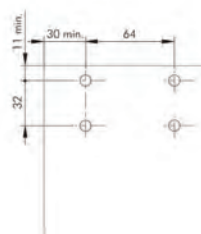


SIDE PANEL
15 - 16MM THICK

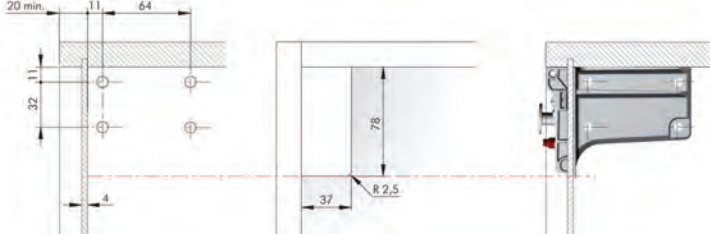


Recommended fixing accessories:
 - insert nut M6x10mm
 - flat head screw M6x12mm

DRILLING PLAN
WITHOUT BACK PANEL



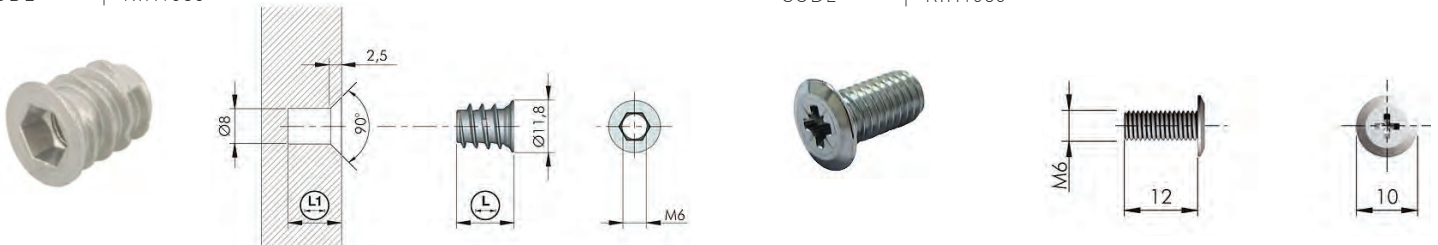
DRILLING PLAN WITH BACK PANEL
WOOD THICKNESS 4MM



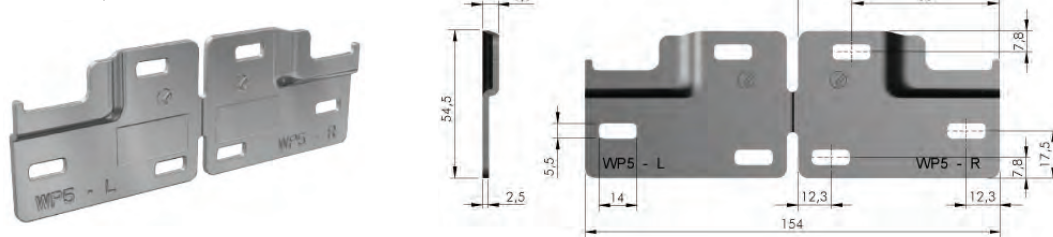
LIBRA H7 SCREW FIXING ACCESSORIES

ITEM 242 | CONNECTOR SOCKET
 CODE | RIH1986

ITEM 241 | SCREW FLAT HEAD M6 X 12MM
 CODE | RIH1985

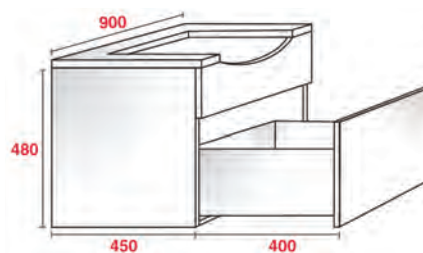


ITEM 247 | WP5 WALL PLATE
 CODE | RIH1989



NOTE: Stress resistance calculated in Newton according to normative UNI 10768

LOADING CAPACITY		
LIBRA H7 AND CABINET WITH STRUCTURAL TOP	FURNITURE TYPE	LIBRA H7 DOWEL FIXING AND ALU BAR H.40,2 WITH 2 EXTRA HANGING POINTS
SCREW FIXING		
200KG	CABINET	210KG
160KG + 30KG	CABINET + DRAWER	170KG + 30KG



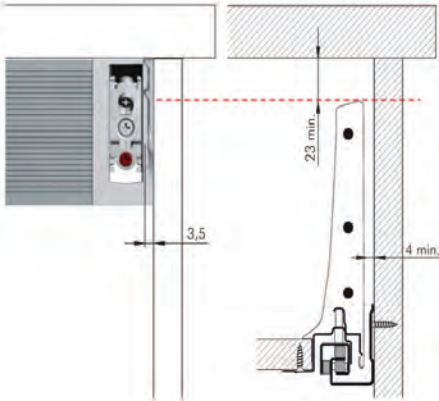
NOTE: THE REPORTED DATA, EMPERICALLY OBTAINED, EXCLUSIVELY REFER TO THE CONSTRUCTIONS AND EXAMPLES SHOWN, CORRECTLY POSITIONED AND ASSEMBLED BY USING WP5 WALL PLATE.



WP5 WALL PLATE INSTALLATION

THE HANGING SYSTEM IS NEVER INTERFERING WITH THE SLIDES FOR DRAWERS THANKS TO THE SLIM SIDE BRACKET WINGS

EASY ACCESS TO THE ADJUSTMENTS

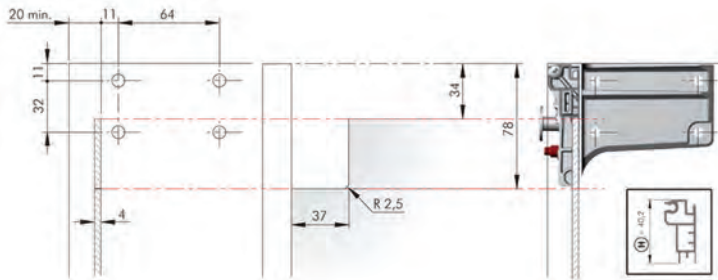


■ = STRESS INTENSITY LEVEL ON THE WALL

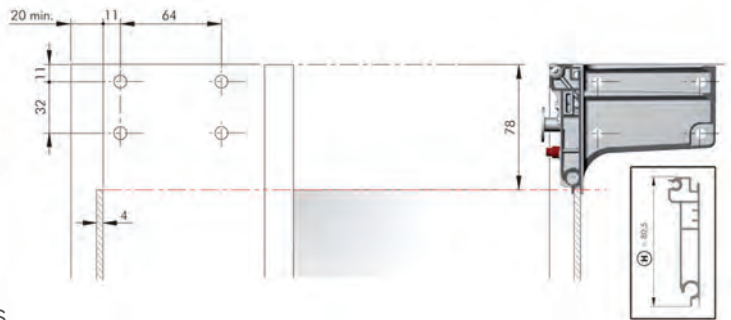
BY ADDING EXTRA HANGING POINTS ON THE ALUMINIUM BAR, THE LOADING CAPACITY IS MORE EVENLY DISTRIBUTED, THUS SENSIBLY REDUCING THE STRESS INTENSITY LEVEL ON THE WALL.



DRILLING PLAN WITH BACK PANEL WOOD THICKNESS 4MM AND H. 40,2MM ALUMINIUM BAR



DRILLING PLAN WITH BACK PANEL WOOD THICKNESS 4MM AND H. 80,5MM ALUMINIUM BAR



LIBRA H7 APPLICATIONS: WITH OPTIONAL ALUMINIUM BARS

BENEFITS OF LIBRA H7 HANGING SYSTEM:

- VERTICAL AND IN-DEPTH ADJUSTMENTS AS WELL AS THE LOCKING OF THE CABINET, CAN BE EASILY AND SMOOTHLY CARRIED OUT FROM THE INSIDE.
- THE HANGING SYSTEM IS NEVER INTERFERING WITH THE SLIDES FOR DRAWERS THANKS TO THE SLIM SIDE BRACKET WINGS.
- ABSOLUTELY NO MILLS, NOR GROOVES REQUIRED ON THE SIDE PANELS.

THE FOLLOWING SIMULATIONS ARE MEANT TO GIVE OUR CUSTOMERS VALID REFERENCE POINTS CONCERNING CABINET DIMENSIONS, WEIGHTS, RECOMMENDED LOADING CAPACITY EVEN WHEN LOADED DRAWERS ARE OPENED. **THE CUSTOMER MUST ENSURE THAT THE WALL IS OF SUITABLE QUALITY AND STRUCTURE.**

OTHER IMPORTANT FACTORS TO BE TAKEN INTO CONSIDERATION ARE DETERMINED BY:

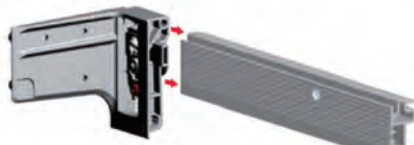
- THE TYPE OF SIDE PANEL, THE ACTUAL THICKNESS AND THE MATERIAL USED.
- THE TYPE AND DIMENSIONS OF THE SCREWS USED.
- THE ACTUAL POSITIONING, DEPTH AND WIDTH OF THE GROOVE MILLED FOR THE BACK SIDE INSTALLATION.
- THE LOADING CAPACITY OF THE DRAWER SLIDES USED AS WELL AS THE ACTUAL CONSTRUCTION OF THE DRAWER.

WE ALWAYS RECOMMEND TO TEST A COMPLETE CABINET.

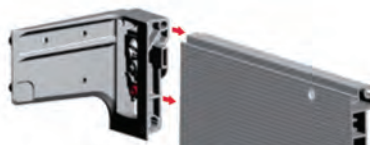
LIBRA H7 SCREW FIXING



LIBRA H7 DOWEL FIXING

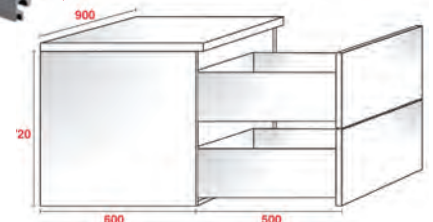
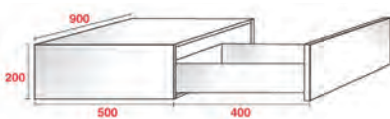


WITH ALU BAR H. 40,2



WITH ALU BAR H. 80,2

LIBRA WP5



LOADING CAPACITY		
LIBRA H7 AND CABINET WITH STRUCTURAL TOP SCREW FIXING	FURNITURE TYPE	LIBRA H7 DOWEL FIXING AND ALU BAR H.40,2 WITH 2 EXTRA HANGING POINTS
120KG	CABINET	160KG
80KG + 30KG	CABINET + DRAWER	120KG + 30KG

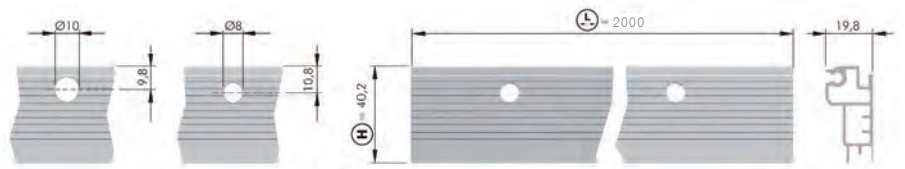
LOADING CAPACITY		
LIBRA H7 AND CABINET WITH STRUCTURAL TOP SCREW FIXING	FURNITURE TYPE	LIBRA H7 DOWEL FIXING AND ALU BAR H.40,2 WITH 2 EXTRA HANGING POINTS
160KG	CABINET	180KG
120KG + 30KG	CABINET + DRAWER	140KG + 30KG

LOADING CAPACITY		
LIBRA H7 AND CABINET WITH STRUCTURAL TOP SCREW FIXING	FURNITURE TYPE	LIBRA H7 DOWEL FIXING AND ALU BAR H.40,2 WITH 2 EXTRA HANGING POINTS
200KG	CABINET	210KG
130KG + 60KG	CABINET + DRAWER	140KG + 2 x 30KG

THE REPORTED DATA EXCLUSIVELY REFER TO THE CONSTRUCTIONS & EXAMPLES SHOWN, CORRECTLY POSITIONED & ASSEMBLED BY USING WP5 WALL PLATE.

LIBRA H7 ALUMINIUM BAR H. 40,2

ITEM 244 | ALUMINIUM PROFILE FOR LIBRA H7
H. 40,2MM
SIZE | 2000 (L) X 40.2MM (H)
CODE | RIH1987



OPTIONAL PRE-DRILLING OPERATION/S TO BE CARRIED OUT BY THE CUSTOMER.
TO BE CUT BY THE CUSTOMER

LIBRA H7 ALUMINIUM BAR H. 80,5

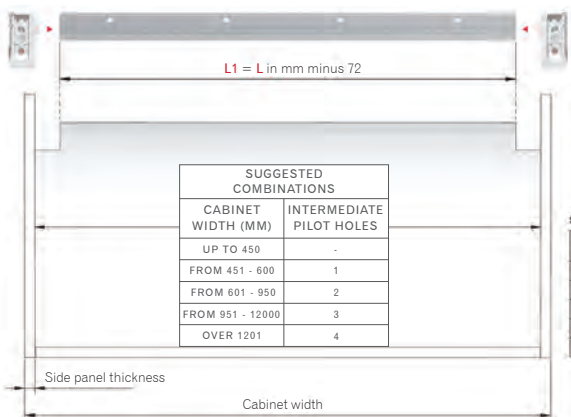
ITEM 245 | ALUMINIUM PROFILE FOR
LIBRA H7 H. 80,5MM
SIZE | 2000 (L) X 80.5MM (H)
CODE | RIH1988



OPTIONAL PRE-DRILLING OPERATION/S TO BE CARRIED OUT BY THE CUSTOMER.
TO BE CUT BY THE CUSTOMER

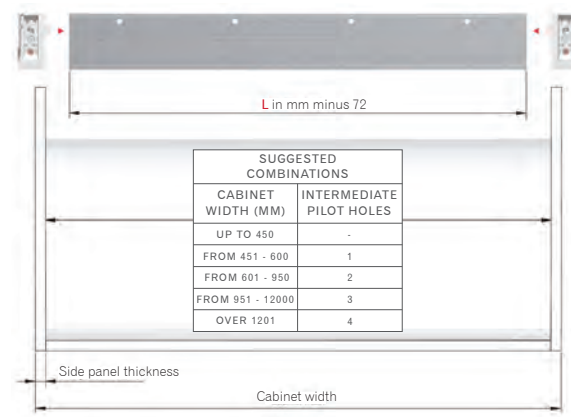
LIBRA H7 ALUMINIUM BAR H. 40,2MM

INSIDE CABINET WIDTH: 72MM



LIBRA H7 ALUMINIUM BAR H. 80,5MM

INSIDE CABINET WIDTH: 72MM



LIBRA CH - HANGERS

FEATURES

- LIBRA CH IS A HANGING SOLUTION TO BE COMBINED WITH A PAIR OF STANDARD CABINET HANGERS TO BE FIXED TO THE SIDE PANELS - LIBRA H1 OR H7.
- IT IS RECOMMENDED FOR WALL-MOUNTED SUSPENDED CABINETS WITH HEAVY LOADS OR PARTICULARLY DEEP DRAWERS.
- THE FIXING TO BOTH THE BOTTOM AND THE TOP ALLOWS THE HANGING TO BE MORE RIGID AND AVOIDS ANY STRUCTURAL FAILURE.
- THE ADJUSTMENT AND THE LOCKING OF THE ANTI-TURNOVER BOLT CAN BE CARRIED OUT FROM THE INSIDE OF THE CABINET BY USING A STANDARD PZ2 SCREWDRIVER. STEEL, ALUMINIUM, ZINC ALLOY AND ENGINEERING PLASTIC ACCORDING TO RELATED VERSION.





LIBRA CH WITH UPPER END ELEMENT PRE-MOUNTED (SEPARATE LOWER END ELEMENT)

ITEM 233 | LIBRA CH WALL HANGING VERTICAL PROFILE
 SIZE | 507MM
 CODE | RIH1979

• USE WITH WALL HANGER RIH1987 - PAGE 23

• TO BE CUT BY THE CUSTOMER



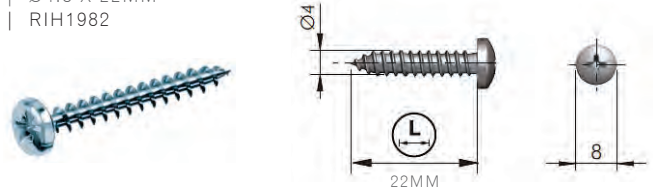
LOWER END ELEMENT

ITEM 256 | FIX PLATES 2K FOR LIBRA CH WALL HANGER
 CODE | RIH1980

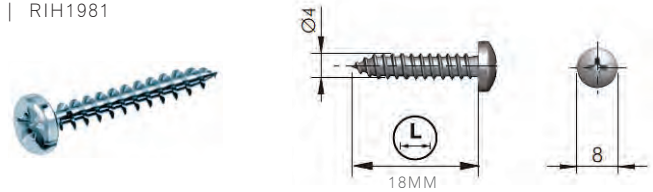


FIXING ACCESSORY FOR LOWER END ELEMENT

ITEM 240 | SCREW
 SIZE | Ø4.8 X 22MM
 CODE | RIH1982



ITEM 257 | CHIPBOARD SCREW PAN HEAD
 SIZE | Ø4.8 X 18MM
 CODE | RIH1981



LIBRA CH APPLICATIONS BARS

BENEFITS OF LIBRA CH HANGING SYSTEM:

- VERTICAL AND IN-DEPTH ADJUSTMENTS AS WELL AS THE LOCKING OF THE CABINET, CAN BE EASILY AND SMOOTHLY CARRIED OUT FROM THE INSIDE.
- THE HANGING SYSTEM IS NEVER INTERFERING WITH THE SLIDES FOR DRAWERS AS IT IS PLACED BEHIND THE BACK PANEL.
- ABSOLUTELY NO MILLS, DRILLING OR GROOVES REQUIRED INSIDE THE CABINET.

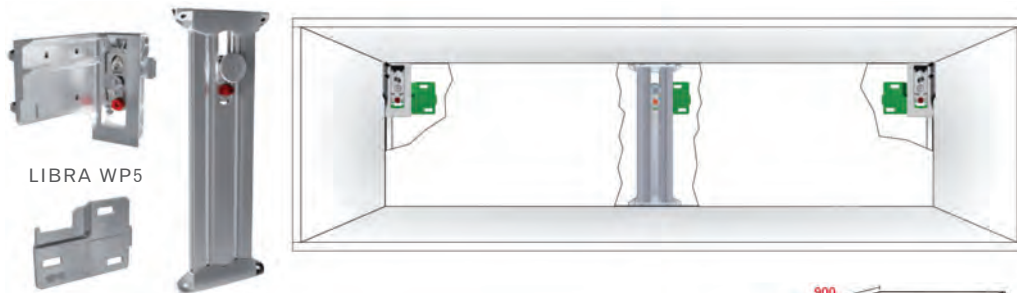
THE FOLLOWING SIMULATIONS ARE MEANT TO GIVE OUR CUSTOMERS VALID REFERENCE POINTS CONCERNING CABINET DIMENSIONS, WEIGHTS, RECOMMENDED LOADING CAPACITY EVEN WHEN LOADED DRAWERS ARE OPENED. **THE CUSTOMER MUST ENSURE THAT THE WALL IS OF SUITABLE QUALITY AND STRUCTURE.**

OTHER IMPORTANT FACTORS TO BE TAKEN INTO CONSIDERATION ARE DETERMINED BY:

- THE TYPE OF SIDE PANEL, THE ACTUAL THICKNESS AND THE MATERIAL USED.
- THE TYPE AND DIMENSIONS OF THE SCREWS USED.
- THE ACTUAL POSITIONING, DEPTH AND WIDTH OF THE GROOVE MILLED FOR THE BACK SIDE INSTALLATION.
- THE LOADING CAPACITY OF THE DRAWER SLIDES USED AS WELL AS THE ACTUAL CONSTRUCTION OF THE DRAWER.

WE ALWAYS RECOMMEND TO TEST A COMPLETE CABINET.

LIBRA H7 LIBRA CH

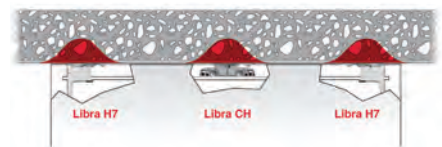


LIBRA WP5

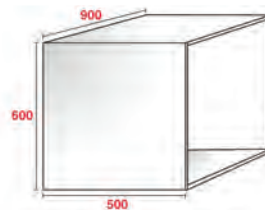
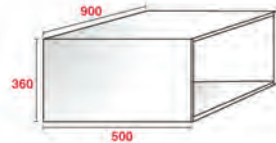
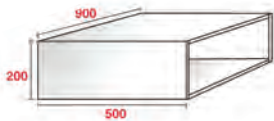
■ = STRESS INTENSITY LEVEL ON THE WALL



- FOR DETAILS REFER TO SECTIONS:
- LIBRA H7 SCREW FIXING (TO BE USED WITHOUT ALUMINIUM BAR)
 - LIBRA H7 DOWEL FIXING (TO BE USED WITHOUT ALUMINIUM BAR)
 - LIBRA CH



BY ADDING LIBRA CH TO LIBRA H7, THE LOADING CAPACITY IS MORE EVENLY DISTRIBUTED, THUS SENSIBLY REDUCING THE STRESS INTENSITY LEVEL ON THE WALL.



FURNITURE TYPE	LOADING CAPACITY	
	LIBRA H7	LIBRA H7 + 1 LIBRA CH
CABINET	120KG	130KG
CABINET + DRAWER	80KG + 30KG	120KG + 30KG

FURNITURE TYPE	LOADING CAPACITY	
	LIBRA H7	LIBRA H7 + 1 LIBRA CH
CABINET	180KG	230KG
CABINET + DRAWER	150KG + 30KG	180KG + 30KG

FURNITURE TYPE	LOADING CAPACITY	
	LIBRA H7	LIBRA H7 + 1 LIBRA CH
CABINET	200KG	230KG
CABINET + DRAWER	170KG + 30KG	170KG + 50KG

THE REPORTED DATA EXCLUSIVELY REFER TO THE CONSTRUCTIONS & EXAMPLES SHOWN, CORRECTLY POSITIONED & ASSEMBLED BY USING WP5 WALL PLATE.

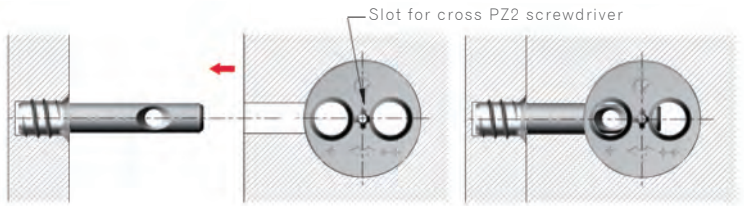
VIS - CONNECTINGS

FEATURES

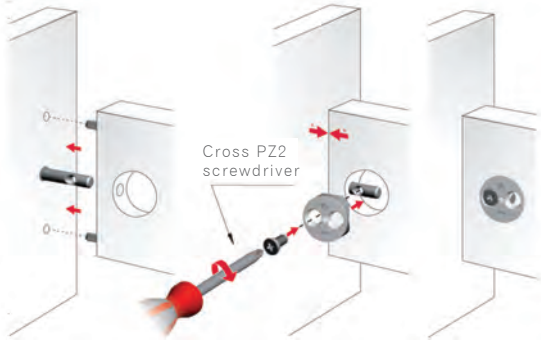
- VIS IS THE NEW CONCEPT IN CONNECTING FITTINGS, DESIGNED TO ACHIEVE PRACTICAL AND STRONG ASSEMBLING, CONCEIVED TO JOIN BED SIDES AND PANELS.
- IT CAN BE MOUNTED ON RELATIVELY THIN PANELS, WITH A MINIMUM THICKNESS OF 18MM; FOR PANELS WITH A MINIMUM THICKNESS OF 25MM IT IS POSSIBLE TO ADD A Ø35MM COVER CAP.
- THIS CONNECTING FITTING BOASTS TWO DIFFERENT TIGHTENING POSITIONS: STANDARD (+) AND STRONG (++), WHICH HELPS IN CASE OF INACCURATE DRILLINGS. IT IS NOT NECESSARY TO DISASSEMBLE THE WHOLE STRUCTURE TO CHANGE THE TIGHTENING POSITION.
- VIS IS MADE UP OF A THREADED M8 STEEL DOWEL, A SPECIAL M6 SCREW AND THE Ø35MM ZINC ALLOY CYLINDRIC JOINT.



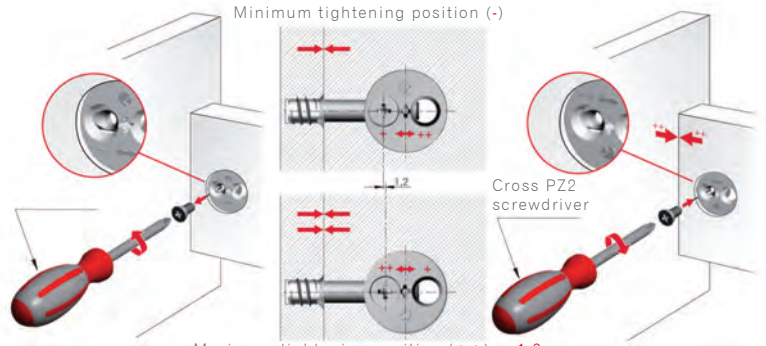
INSTALLATION AND ASSEMBLY



FIRST STEP

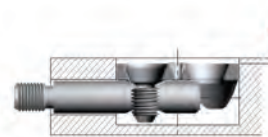
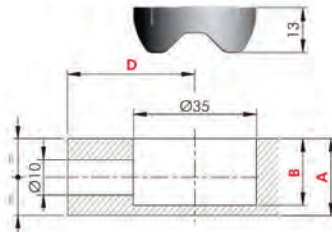


INSTALLATION AND ASSEMBLY FROM + (MINIMUM) TO ++ (MAXIMUM) TIGHTENING LAST STEP



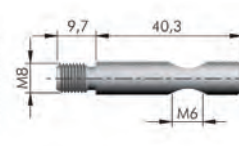
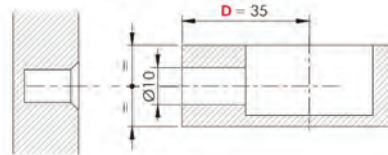
Maximum tightening position (++) = 1.2mm

ITEM 248 | VIS CONNECTOR
SIZE | Ø35MM
CODE | RIH1990

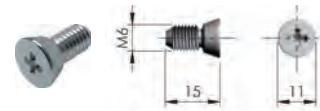


	A	B	C
19	16.5	0.3	
20	17.5	0.8	
22	19	1.8	
25	20.5	3.3	
30	23	5.8	

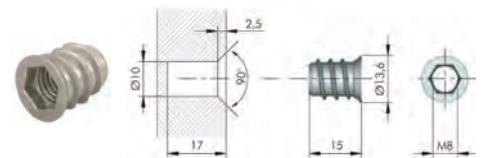
ITEM 249 | CONNECTOR DOWEL FOR M8
FINISH | ZINC PLATED
CODE | RIH1991



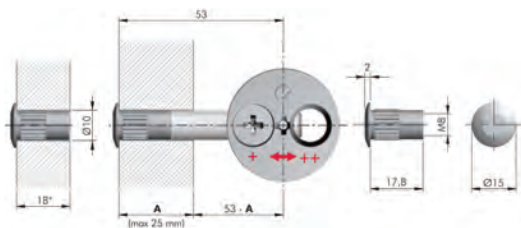
ITEM 250 | GRUB SCREW FOR VIS M6 X 15.3MM
FINISH | ZINC PLATED
CODE | RIH1992



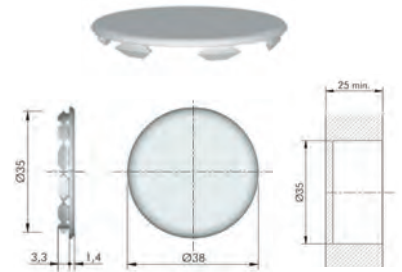
ITEM 251 | RUBBER NUT
SIZE | M8 X 12MM
CODE | RIH1993



ITEM 316 | VIS M8 SLEEVE
SIZE | Ø10 X 17.8MM
CODE | RIH2171



ITEM 312 | VIS COVER CAP FOR HOLE 35MM
SIZE | BROWN | RIH2167
BLACK | RIH2168
WHITE | RIH2169
GREY | RIH2170




the heart of furniture

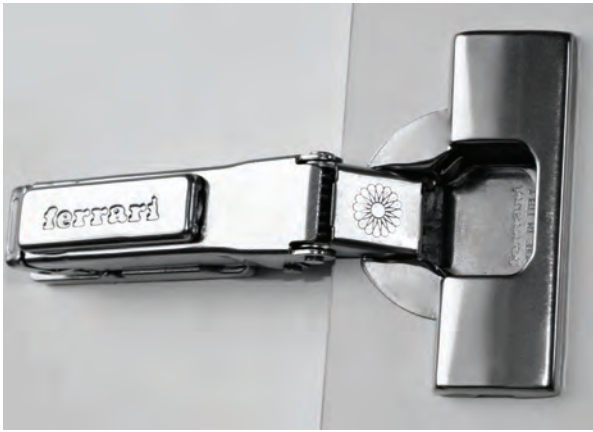


HINGES

FERRARI SLIDE ON HINGES

FEATURES

- THE RANGE INCLUDES TWO DIFFERENT TYPES: "SLIDE ON" HINGES THAT ARE EASILY MOUNTED BY A SIMPLE SLIDING MOVEMENT AND "ANYWAY CLIP" HINGES AND HINGES THAT ARE PROVIDED WITH AN INNOVATIVE, EASY AND SAFE METAL RELEASE.
- THE CLIP ON MECHANISM DOESN'T REQUIRE ANY SPECIFIC POSITIONING OF THE HINGE: THE HINGE CAN BE CLIPPED ON THE PLATE IN ANY DIRECTION AND THE PLATES ARE REVERSIBLE.
- SUCH CHARACTERISTICS PERMIT MAXIMUM EASE IN MOUNTING AND INSTALLING EVEN WITH LARGE/TALL DOORS THAT REQUIRE THE USE OF MORE HINGES.



UPGRADE THE SLIDE ON OR CLIP ON HINGES BY ADDING THE WAVE SOFT CLOSING DAMPER. THROUGH THE ADJUSTING SCREW, IT IS POSSIBLE TO CALIBRATE THE DAMPING EFFECT.



STANDARD SPRUNG HINGES **SLIDE ON**

NB! **BASE PLATES SOLD SEPARATELY** REFER TO BASE PLATES SELECTION. **THE NUMBER IN THE DESCRIPTION INDICATES THE BASE PLATE USED.**

ITEM 78 | 110° FULL OVERLAY SLIDE ON HINGE
NO. 1 | RIH1900
| OPTION WITH Ø8X10MM DOWEL
| RIH1908



ITEM 78 | 110° HALF OVERLAY SLIDE ON HINGE
NO. 1 | RIH1901
| OPTION WITH Ø8X10MM DOWEL
| RIH1909



ITEM 78 | 110° INSET SLIDE ON HINGE
NO. 1 | RIH1902
| OPTION WITH Ø8X10MM DOWEL
| RIH1910



ITEM 78 | 170° FULL OVERLAY SLIDE ON HINGE
NO. 1 | RIH1903
| OPTION WITH Ø8X10MM DOWEL
| RIH1911



ITEM 78 | 70° HALF OVERLAY SLIDE ON HINGE
NO. 1 | RIH1904
| OPTION WITH Ø8X10MM DOWEL
| RIH1912



ITEM 78 | PIE CUT SLIDE ON HINGE
NO. 2 | RIH1905
| OPTION WITH Ø8X10MM DOWEL
| RIH1913



ITEM 78 | 45° SLIDE ON HINGE
NO. 2 | RIH1906
| OPTION WITH Ø8X10MM DOWEL
| RIH1914



ITEM 78 | 90° BLIND CORNER SLIDE ON HINGE
NO. 1 | RIH1907
| OPTION WITH Ø8X10MM DOWEL
| RIH1915



ITEM 1271 | DOWEL AND SCREW Ø8 x 10MM
| RIH1226



BASE PLATES **NO. 1 & 2** FOR SLIDE ON HINGES

ITEM 79 | NO.1 WITH WOOD SCREW
FIXING H=6 | RIH1916
| NO.2 WITH WOOD SCREW
FIXING H=4 | RIH1917



ITEM 79 | NO.1 WITH EURO SCREW H=6
| RIH1918
| NO.2 WITH EURO SCREW
FIXING H=4 | RIH1919



ITEM 79 | NO.1 WITH EXPANDING
DOWEL H=6 | RIH1920
| NO.2 WITH EXPANDING
DOWEL H=4 | RIH1921





STANDARD SPRUNG HINGES ANY WAY CLIP ON

NB! **BASE PLATES SOLD SEPARATELY** REFER TO BASE PLATES SELECTION

ITEM 81 | 110° FULL OVERLAY CLIP ON HINGE
NO. 3 | RIH1924
| OPTION WITH Ø8X10MM DOWEL
| RIH1932



ITEM 81 | 110° HALF OVERLAY CLIP ON HINGE
NO. 3 | RIH1925
| OPTION WITH Ø8X10MM DOWEL
| RIH1933



ITEM 81 | 110° INSET CLIP ON HINGE
NO. 3 | RIH1926
| OPTION WITH Ø8X10MM DOWEL
| RIH1934



ITEM 81 | 170° FULL OVERLAY CLIP ON HINGE
NO. 3 | RIH1927
| OPTION WITH Ø8X10MM DOWEL
| RIH1935



ITEM 81 | 170° HALF OVERLAY CLIP ON HINGE
NO. 3 | RIH1928
| OPTION WITH Ø8X10MM DOWEL
| RIH1936



ITEM 81 | PIE CUT CLIP ON HINGE
NO. 4 | RIH1929
| OPTION WITH Ø8X10MM DOWEL
| RIH1937



ITEM 81 | 45° CLIP ON HINGE
NO. 4 | RIH1930
| OPTION WITH Ø8X10MM DOWEL
| RIH1938



ITEM 81 | 90° BLIND CORNER CLIP ON HINGE
NO. 3 | RIH1931
| OPTION WITH Ø8X10MM DOWEL
| RIH1939



ITEM 1271 | DOWEL AND SCREW Ø8 x 10MM
| RIH1226



BASE PLATES NO. 3 & 4 FOR CLIP ON HINGES

ITEM 82 | NO.3 WITH WOOD SCREW
FIXING H=6 | RIH1940
| NO.4 WITH WOOD SCREW
FIXING H=4 | RIH1941



ITEM 82 | NO.3 WITH EURO SCREW H=6
| RIH1942
| NO.4 WITH EURO SCREW
FIXING H=4 | RIH1943



ITEM 82 | NO.3 WITH EXPANDING
DOWEL H=6 | RIH1944
| NO.4 WITH EXPANDING
DOWEL H=4 | RIH1945



ITEM 82 | NO. 3 INLINE BASE PLATE
| RIH1946



ITEM 85 | CUP COVER FERRARI
| RIH1953
| ARM COVER FERARRI
| RIH1954

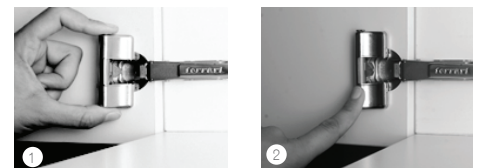


ACCESSORIES



WAVE SOFT CLOSING ADAPTER

ITEM 84 | WAVE SOFT CLOSING DAMPER FOR
FULL OVERLAY HINGES | RIH1948



CLIP WAVE ON THE HINGE SIMPLY MATCHING THE TWO RIBS WITH THE HOLES IN THE CUP FIRST AND THAN FIXING IT WITH A SMALL PRESSURE.

QUANTITY OF WAVES REQUIRED PER DOOR SIZE AVAILABLE AT WWW.RAIEL.COM OR ON CD

HARMONY - SOFT CLOSING HINGES

FEATURES

- THE DAMPER IS CONCEALED IN THE HINGE ARM, ENSURING A SILENT AND SMOOTH CLOSING OF DOORS.
- THIS HINGE IS TESTED BY THE FERRARI LABS AND IS GUARANTEED UP TO 50,000 CYCLES.
- THIS PRODUCT COMBINES AN ELEGANT AND SIMPLE DESIGN, A SMOOTH FUNCTIONING AND A VERY CONVENIENT PRICE. IT IS THEREFORE ONE OF THE SMARTEST SOLUTIONS AVAILABLE ON THE MARKET FOR SOFT-CLOSING NEEDS.

SOFT
CLOSING



HARMONY **SOFT CLOSING** HINGES

NB! **BASE PLATES SOLD SEPARATELY** REFER TO BASE PLATES SELECTION. **THE NUMBER IN THE DESCRIPTION INDICATES THE BASE PLATE USED.**

ITEM 86 | 110° FULL OVERLAY CLIP ON HINGE S/C, NO. 5 | RIH1955
| OPTION WITH Ø8X10MM DOWEL | RIH1959



ITEM 86 | 110° HALF OVERLAY CLIP ON HINGE S/C, NO. 5 | RIH1956
| OPTION WITH Ø8X10MM DOWEL | RIH1960



ITEM 86 | 45° CLIP ON HINGE S/C NO. 5 | RIH1957
| OPTION WITH Ø8X10MM DOWEL | RIH1961



ITEM 86 | 90° BLIND CORNER CLIP ON HINGE S/C, NO. 6 | RIH1958
| OPTION WITH Ø8X10MM DOWEL | RIH1962



ITEM 1271 | DOWEL AND SCREW Ø8 x 10MM | RIH1226



BASE PLATES NO. 5 & 6 FOR HARMONY CLIP ON HINGES

ITEM 87 | NO.5 WITH WOOD SCREW FIXING H=2 | RIH1963



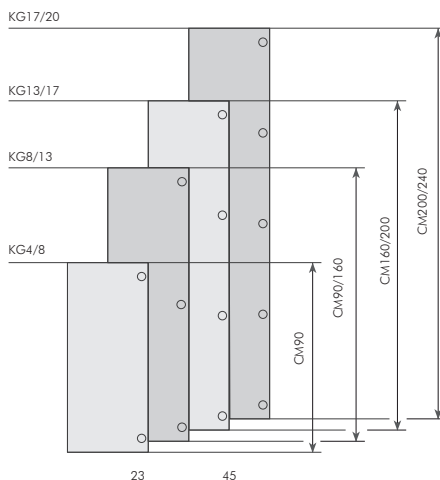
ITEM 87 | NO.5 WITH EURO SCREW H=2 | RIH1964



ITEM 87 | NO.6 WITH WOOD SCREW FIXING H=0 | RIH1965



NUMBER OF HINGES PER DOOR



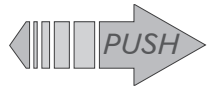
THIS CHART SHOULD BE USED AS A GENERAL GUIDE FOR 600 MM WIDE DOORS. THE HINGE CAPACITY MAY VARY WITH DIFFERENT FACTORS SUCH AS DOOR MATERIAL, THICKNESS, SIZE, ETC. THE BEST SOLUTION WOULD BE TO PERFORM EMPIRICAL TESTS.



MAGNETIC PUSH TO OPEN

FEATURES

- THE PUSH SYSTEM IS A SELF-OPENING SYSTEM FOR THE DOORS OF ALL TYPES OF HANDLELESS FURNITURE.
- IT CONSISTS OF A SERIES OF SELF-OPENING HINGES, RELEASE DEVICES (THE PUSH) THAT CAN BE FITTED TO THE TOP, BASE OR SIDE PANEL OF THE CABINET AND A DOOR PLATE.
- THE SYSTEM CAN BE USED WITH WOODEN OR ALUMINIUM FRAMED DOORS.



MAGIC **PUSH TO OPEN** HINGES & ACCESSORIES

NB! **BASE PLATES SOLD SEPARATELY** REFER TO BASE PLATES SELECTION. **THE NUMBER IN THE DESCRIPTION INDICATES THE BASE PLATE USED.**

ITEM 88 | 110° FULL OVERLAY PUSH OPEN
HINGE CLIP ON, NO. 3 | RIH1966
| OPTION WITH Ø8X10MM DOWEL
| RIH1969

ITEM 88 | 110° HALF OVERLAY PUSH OPEN
HINGE CLIP ON, NO. 3 | RIH1967
| OPTION WITH Ø8X10MM DOWEL
| RIH1970

ITEM 88 | 110° INSET PUSH OPEN HINGE
CLIP ON, NO. 3 | RIH1968
| OPTION WITH Ø8X10MM DOWEL
| RIH1971



BASE PLATES **NO. 3**

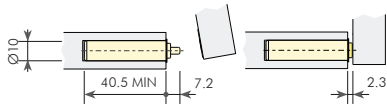
ITEM 82 | NO.3 WITH WOOD SCREW
FIXING H=6 | RIH1940

ITEM 82 | NO.3 WITH EURO SCREW
H=6 | RIH1942

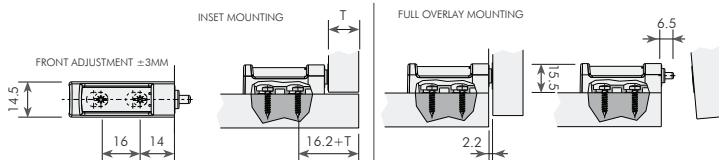
ITEM 82 | NO.3 WITH EXPANDING
DOWEL H=6 | RIH1944



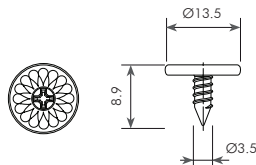
PUSH ACCESSORIES



ITEM 89 | MAGNETIC RELEASE DEVICE
Ø10 | RIH1972



ITEM 89 | ADAPTER FOR RELEASE
DEVICE | RIH1974



ITEM 89 | MAGNETIC PLATE ROUND
| RIH1973

SPECIFICATIONS FOR ALL HINGES AVAILABLE AT WWW.RAIEL.COM OR ON CD · SUBJECT TO CHANGE WITHOUT NOTICE

STANDARD HINGES

TESTED TO QUALITY STANDARD ISO 9001 : 2000

ITEM 983 | 110° FULL OVERLAY SLIDE ON HINGE
| RIH519



ITEM 985 | 110° HALF OVERLAY SLIDE ON HINGE
| RIH521



ITEM 987 | 110° INSET SLIDE ON HINGE
WITH BASE PLATE
| RIH523



ITEM 989 | 170° FULL OVERLAY SLIDE ON HINGE
WITH BASE PLATE
| RIH525

ITEM 990 | 170° HALF OVERLAY SLIDE ON HINGE
WITH BASE PLATE
| RIH527



SUPPLEMENTARY HINGES: PIE CUT, 45°, 90° BLIND CORNER
CAN BE VIEWED AT WWW.RAIEL.COM

SOFT CLOSING HINGES

TESTED TO QUALITY STANDARD ISO 9001 : 2000

ITEM 208 | 105° FULL OVERLAY **SOFT CLOSE** CLIP
ON HINGE WITH BASE PLATE
| RIH1888



ITEM 209 | 105° HALF OVERLAY **SOFT CLOSE**
CLIP ON HINGE WITH BASE PLATE
| RIH1889



ITEM 210 | 105° INSET **SOFT CLOSE** CLIP
ON HINGE WITH BASE PLATE
| RIH1890



ITEM 1271 | DOWEL AND SCREW Ø8 x 10MM
| RIH1226



DRAWER RUNNERS - SELF CLOSING RUNNERS

ITEM 1005 | UTA DRAWER RUNNER SELF CLOSING - WHITE

SIZE | 450MM | RIH577
500MM | RIH578

OTHER SIZES AVAILABLE:
300,350,400,550,600MM

- STEEL THICKNESS IS 1.2MM
- LOAD CAPACITY IS 25KG PER PAIR
- TESTED TO 50 000 OPENINGS

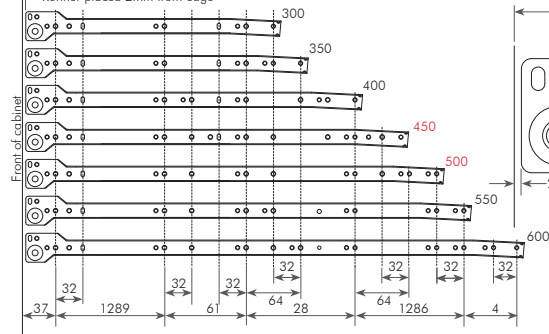


EURO SCREW FIXING | WOOD SCREW FIXING
6X13MM RIH1392 | 6X16MM

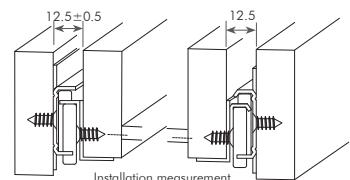
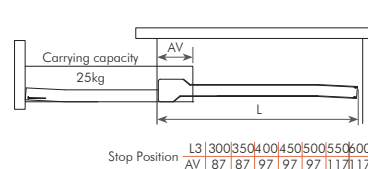
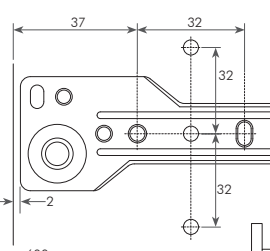
AVAILABLE WITH DOWELS ON REQUEST



Fastening Position for
← Runner placed 2mm from edge



Drilling pattern for cabinet





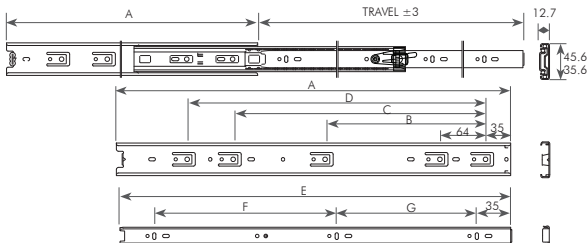
BALL BEARINGS - STANDARD

ITEM 960 | UTA 45MM FULL EXTENSION BALL BEARING SLIDES
 SIZE | 450MM | RIH550
 500MM | RIH551
 OTHER SIZES AVAILABLE: 300, 350, 400, 550, 600MM
 • STEEL THICKNESS IS 1.0, 1.0MM, 1.2MM
 • LOAD CAPACITY IS **35KG** PER PAIR ON 450MM



ITEM 959 | UTA 35MM FULL EXTENSION BALL BEARING SLIDES
 SIZE | 450MM | RIH544
 500MM | RIH545
 • STEEL THICKNESS IS 1.0, 1.0MM, 1.0MM
 • LOAD CAPACITY IS **30KG** PER PAIR ON 450MM

WOOD SCREW FIXING
6X16MM



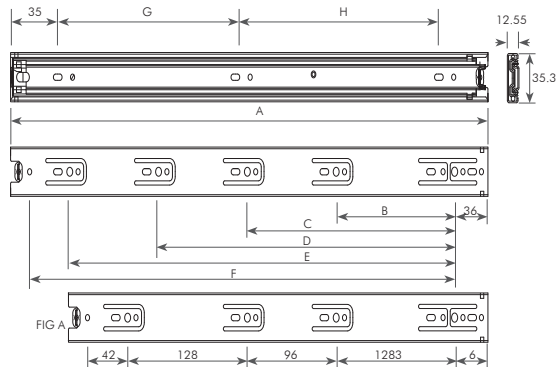
DRILLING DETAIL FOR:

35MM

A	B	C	D	E	F	G	H
450	450	128	224	320	416	160	192
500	500	128	224	320	416	192	220

45MM

A	B	C	D	E	F	G
450	450	224	352	445	160	192
500	500	224	352	416	495	192



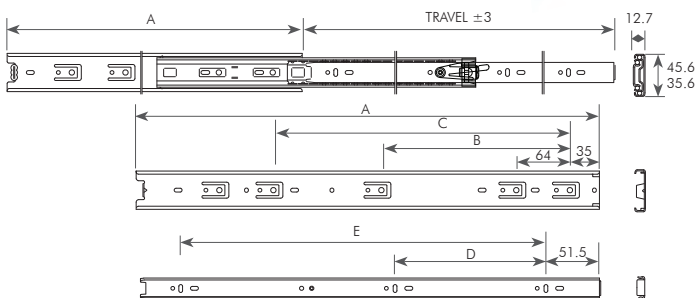
BALL BEARINGS - SOFT CLOSING AND PUSH OPENING

ITEM 1695 | 35MM & 45MM FULL EXTENSION BALL BEARING SLIDES, **SOFT CLOSING**

LENGTH | 350MM | RIH2163 | RIH588
 400MM | RIH2164 | RIH589
 450MM | RIH2165 | RIH594
 500MM | RIH2166 | RIH593
 • STEEL THICKNESS IS 1.2MM
 • LOAD CAPACITY IS **25KG** PER PAIR FOR 35MM AND **35KG** PER PAIR FOR 45MM, 450MM LENGTHS
 • TESTED TO 50 000 OPENINGS



WOOD SCREW FIXING
6X16MM



DRILLING DETAIL FOR:

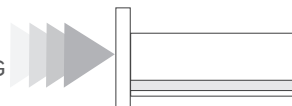
35MM

A	B	C	D	E
350	128	-	96	186
400	192	-	128	236
450	224	-	160	288
500	224	288	192	320

45MM

A	B	C	D	E
350	160	-	96	256
400	224	-	128	288
450	224	288	160	352
500	224	320	192	384

SOFT CLOSING

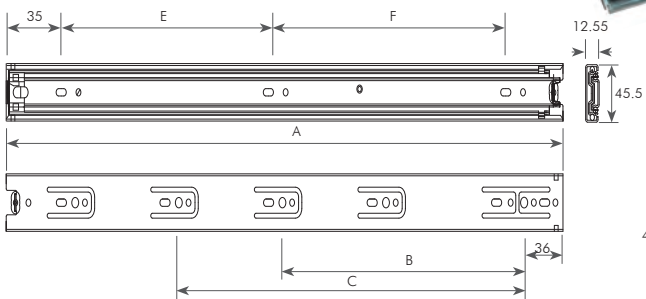


ITEM 1008 | 45MM FULL EXTENSION BALL BEARING SLIDES, **PUSH OPENING**

SIZE | 350MM | RIH2000
 400MM | RIH2001
 450MM | RIH2002
 500MM | RIH2003
 • STEEL THICKNESS IS 1.2MM
 • LOAD CAPACITY IS **25KG** PER PAIR, 450MM LENGTH
 • TESTED TO 50 000 OPENINGS



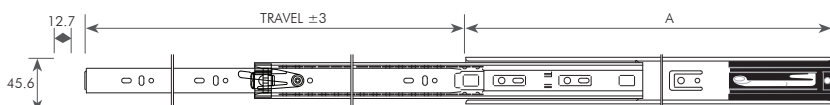
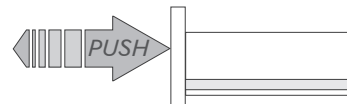
WOOD SCREW FIXING
6X16MM



DRILLING DETAIL FOR:

45MM

A	B	C	E	F
450	450	288	160	160
500	500	256	320	192



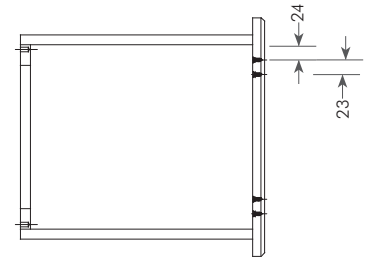
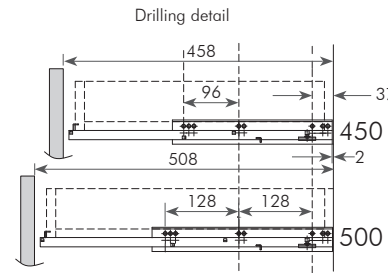
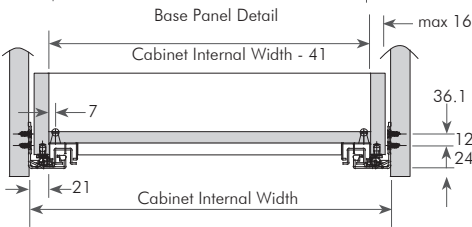
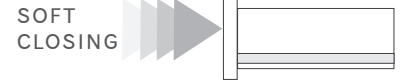
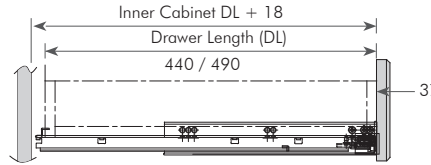
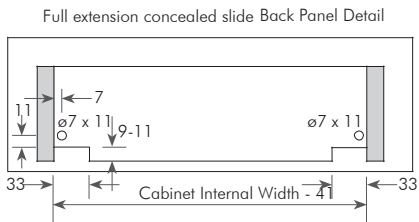
CONCEALED SLIDES - SOFT CLOSING

ITEM 958 | UTA FULL EXTENSION CONCEALED SLIDE **SOFT CLOSING**

- SIZE | 450MM | RIH6511
 500MM | RIH651
 FRONT FIXING CLIPS L & R | RIH6612
- LOAD CAPACITY IS **30KG** PER PAIR ON 450MM
 - TESTED TO 50 000 OPENINGS
 - CLIPS INCLUDED



EURO SCREW FIXING | WOOD SCREW FIXING
 6X13MM RIH1392 | 6X16MM



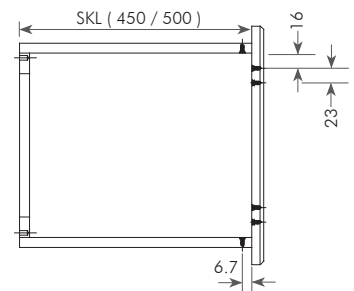
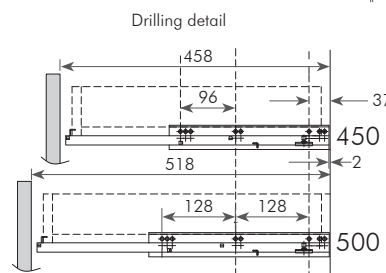
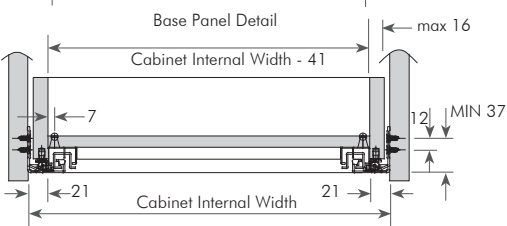
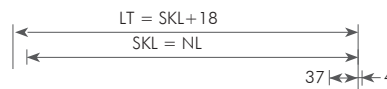
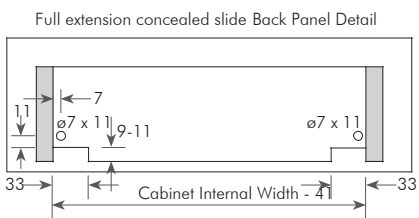
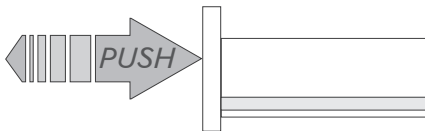
CONCEALED SLIDES - PUSH OPEN

ITEM 1013 | UTA FULL EXTENSION CONCEALED SLIDE **PUSH OPEN**

- SIZE | 450MM | RIH2004
 500MM | RIH2005
- FRONT FIXING CLIPS INCLUDED WITH SLIDES
- LOAD CAPACITY IS **30KG** PER PAIR ON 450MM
 - TESTED TO 50 000 OPENINGS



EURO SCREW FIXING | WOOD SCREW FIXING
 6X13MM RIH1392 | 6X16MM

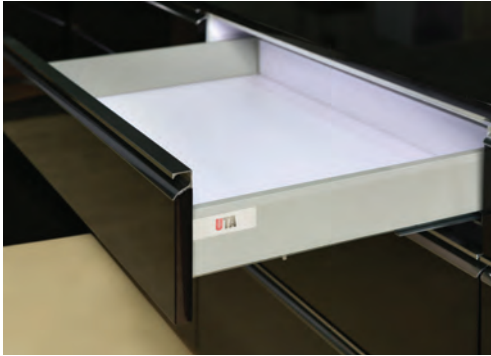




METABOX RUNNERS - STANDARD

ITEM 858 | UTA METABOX RUNNERS
 FINISH | WHITE
 SIZE | 500 X 86MM | RIH590
 500 X 150MM | RIH673
 • LOAD CAPACITY IS **25KG** PER PAIR,
 • TESTED TO 50 000 OPENINGS
 • TESTED TO QUALITY STANDARD ISO 9001:2000

EURO SCREW FIXING | WOOD SCREW FIXING
 6X13MM RIH1392 | 6X16MM



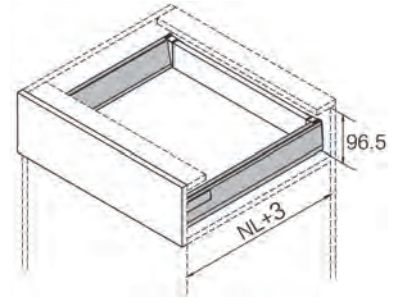
UTA DOUBLE WALL

FEATURES

- CONCEALED, FULL EXTENSION, SYNCHRONISED SLIDES
- FINISHES IN WHITE AND STAINLESS STEEL
- LIGHT OPENING AND CLOSING, SMOOTH SLIDING
- QUICK INSTALLATION AND EASY DISMANTLING
- INTEGRATED 3D FRONT PANEL ADJUSTMENT
- DYNAMIC LOAD CAPACITY: **30KG** AND **50KG**

SPACE REQUIREMENTS

NL - NOMINAL LENGTH

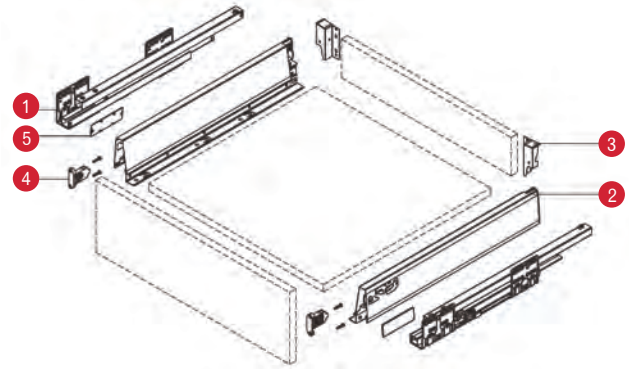


ITEM 1010 | UTA FULL EXTENSION DOUBLE WALL
SOFT CLOSING SLIDE
 SIZE | WHITE | 84 X 500MM | RIH2010
 STAINLESS STEEL | 84 X 500MM | RIH2011
 • LOAD CAPACITY IS **30KG** PER PAIR

ITEM 1014 | UTA FULL EXTENSION DOUBLE WALL
PUSH OPEN SLIDE
 SIZE | WHITE | 84 X 500MM | RIH2012
 STAINLESS STEEL | 84 X 500MM | RIH2013
 • LOAD CAPACITY IS **30KG** PER PAIR

ITEM 1017 | UTA FULL EXTENSION DOUBLE WALL
SOFT CLOSING SLIDE
 SIZE | WHITE | 84 X 500MM | RIH2014
 STAINLESS STEEL | 84 X 500MM | RIH2015
 • LOAD CAPACITY IS **50KG** PER PAIR

ITEM 1018 | UTA FULL EXTENSION DOUBLE WALL
PUSH OPEN SLIDE
 SIZE | WHITE | 84 X 500MM | RIH2016
 STAINLESS STEEL | 84 X 500MM | RIH2017
 • LOAD CAPACITY IS **50KG** PER PAIR

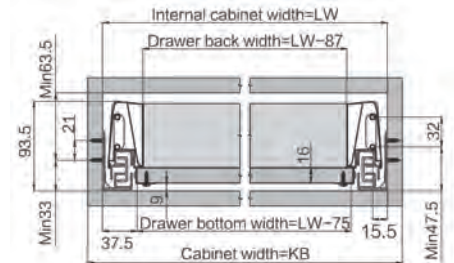
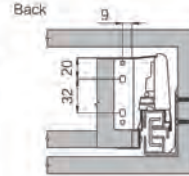
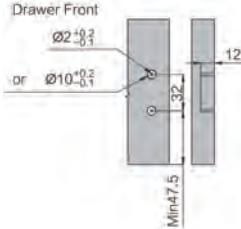
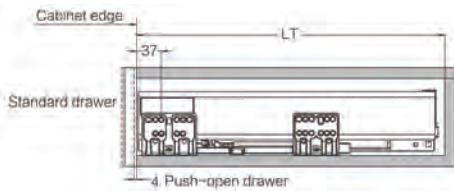


SOLD AS A SET, INCLUDING THE FOLLOWING:

1. SLIDES X 2
2. DRAWER SIDES X 2 (84MM)
3. BACK FIXING BRACKETS LEFT AND RIGHT (84MM)
4. FRONT FIXING BRACKETS X 2
5. UTA COVER CAPS X 2

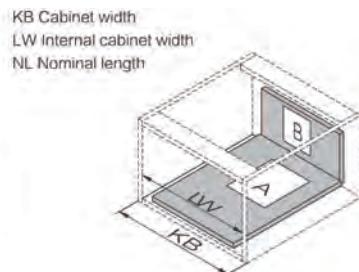
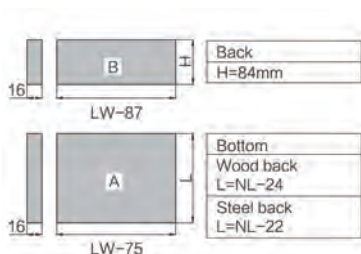
INSTALLATION DIMENSIONS (MM)

KB - CABINET WIDTH / LW - INTERNAL CABINET WIDTH / NL - NOMINAL LENGTH

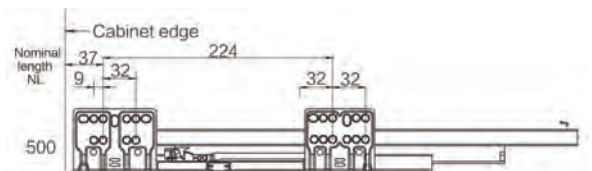


DRAWER BACK AND BOTTOM DIMENSIONS (MM)

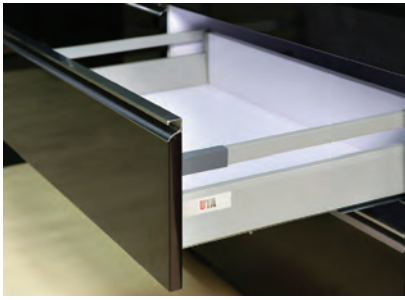
KB - CABINET WIDTH / LW - INTERNAL CABINET WIDTH / NL - NOMINAL LENGTH



SCREW POSITIONS OF THE SIDES (MM)



UTA DOUBLE WALL - ACCESSORIES



ITEM 1019 | FITTINGS FOR **135MM** HIGH DRAWER -
 BACK FIXING BRACKETS AND RAILS
 SIZE | WHITE | 500MM | RIH2018
 STAINLESS STEEL | 500MM | RIH2019

- SOLD AS A SET

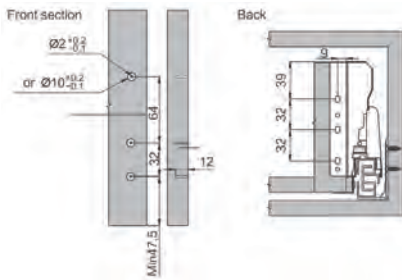


BACK FIXING BRACKETS -
 LEFT AND RIGHT
 X 2

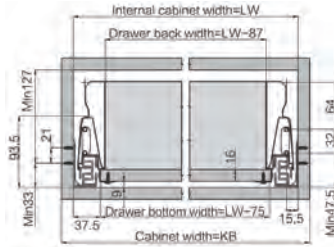


RAILS -
 LEFT AND RIGHT
 X 2

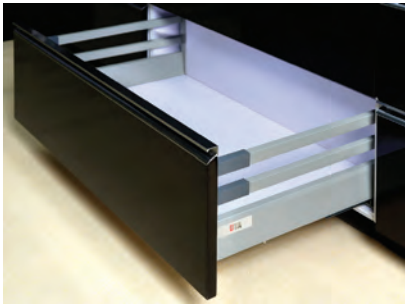
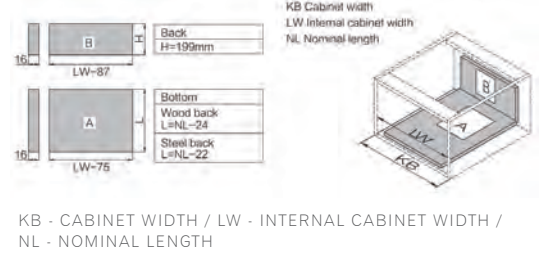
DRAWER INSTALLATION DIMENSIONS



INSTALLATION DIMENSIONS

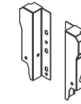


DRAWER BACK AND BOTTOM DIMENSIONS



ITEM 1020 | FITTINGS FOR **199MM** HIGH DRAWER -
 BACK FIXING BRACKETS AND RAILS
 SIZE | WHITE | 500MM | RIH2020
 STAINLESS STEEL | 500MM | RIH2021

- SOLD AS A SET

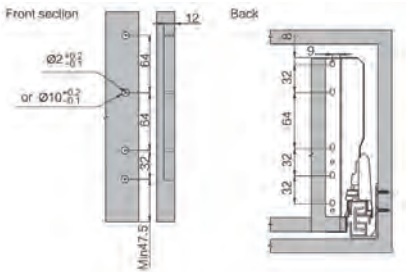


BACK FIXING BRACKETS -
 LEFT AND RIGHT
 X 2

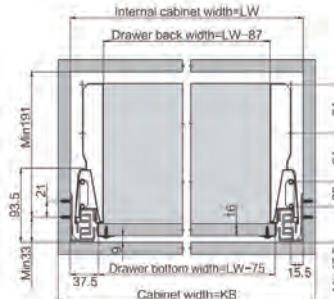


RAILS -
 LEFT AND RIGHT
 X 4

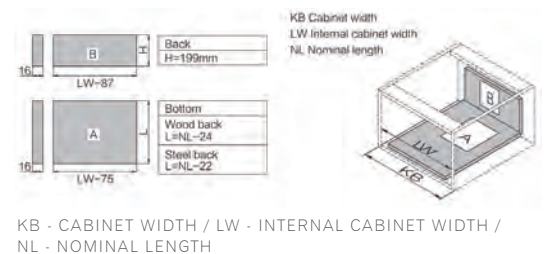
DRAWER INSTALLATION DIMENSIONS



INSTALLATION DIMENSIONS



DRAWER BACK AND BOTTOM DIMENSIONS

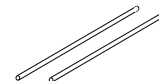


ITEM 1021 | FITTINGS FOR **199MM** STEEL SIDE DRAWER -
 BACK FIXING BRACKETS AND RAILS
 SIZE | WHITE | 500MM | RIH2022
 STAINLESS STEEL | 500MM | RIH2023

- SOLD AS A SET

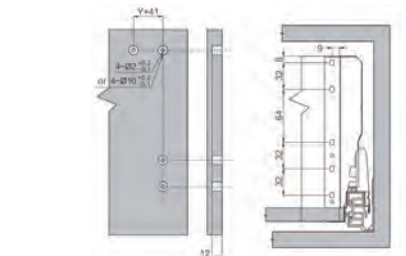


BACK FIXING BRACKETS -
 LEFT AND RIGHT
 X 2

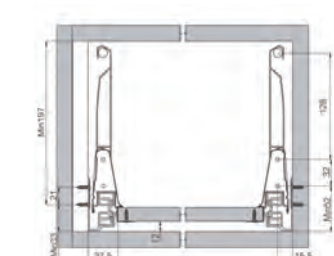


RAILS -
 LEFT AND RIGHT
 X 2

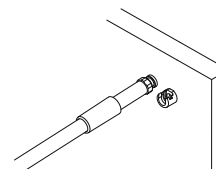
DRAWER INSTALLATION DIMENSIONS



INSTALLATION DIMENSIONS

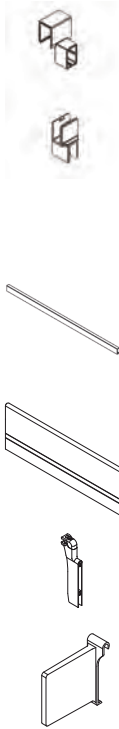
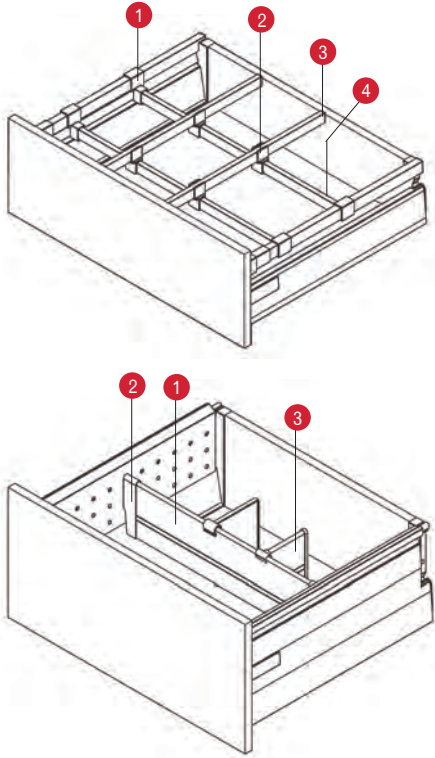


RAIL SCREW FIXING

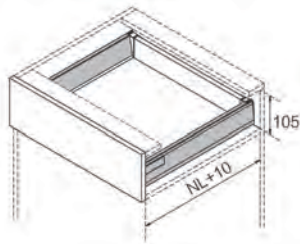




DOUBLE WALL - ACCESSORIES



- | | | |
|---|---------------------|--|
| 1 | ITEM 1022
FINISH | SINGLE CROSS RAIL CONNECTION - PACKS OF FOUR
WHITE RIH2024
GREY RIH2025 |
| 2 | ITEM 1023
FINISH | DIVIDER RAIL CONNECTION - PACKS OF FOUR
WHITE RIH2026
GREY RIH2027 |
| 3 | ITEM 1024
FINISH | END CAP FOR DIVIDER RAIL - PACKS OF FOUR
WHITE RIH2028
GREY RIH2029 |
| 4 | ITEM 1025
FINISH | CROSS RAIL 1100MM - PACKS OF FOUR
WHITE RIH2030
GREY RIH2031 |
| 1 | ITEM 1026
FINISH | HORIZONTAL DIVIDING PANEL 1100MM
WHITE RIH2032
STAINLESS STEEL RIH2033 |
| 2 | ITEM 1026
SIZE | HORIZONTAL DIVIDING PANEL ENDS - PAIRS
WHITE RIH2034
GREY RIH2035 |
| 3 | ITEM 1026
SIZE | VERTICAL DIVIDER
WHITE RIH2036
GREY RIH2037 |

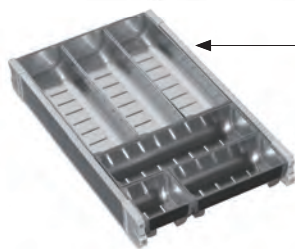


CUTLERY TRAY ORGANISERS - STAINLESS STEEL

FEATURES

- AN EFFECTIVE WAY TO STORE AND SEPARATE YOUR CUTLERY
- MANUFACTURED FROM HIGH QUALITY STAINLESS STEEL
- MODULAR TO FIT MOST DRAWER SYSTEMS
- HYGIENIC AND CAN BE EASILY REMOVED FOR CLEANING

ITEM 1049 | **UTA CUTLERY TRAY D3**
FINISH | STAINLESS STEEL
SIZE | 500MM | RIH2052



ITEM 1049 | **UTA CUTLERY TRAY D4**
FINISH | STAINLESS STEEL
SIZE | 500MM | RIH2053

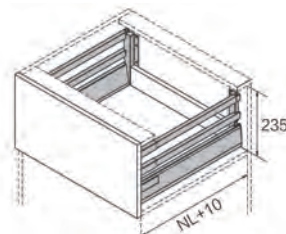
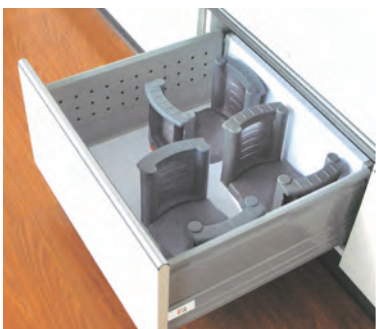
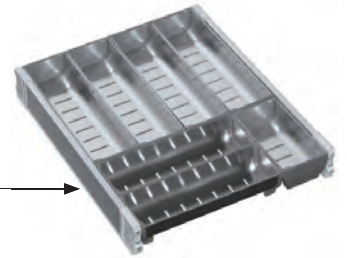


PLATE HOLDER

FEATURES

- CONVENIENT SPACE SAVING, VERSATILE PLATE STORAGE SYSTEM
- ADJUSTS AT THE PRESS OF A BUTTON
- ACCEPTS PLATES FROM 180 - 350MM IN DIAMETER

ITEM 1050 | **PLATE HOLDER D3**
FINISH | GREY
SIZE | 180 - 350MM | RIH2054
• ADJUSTABLE DIAMETER



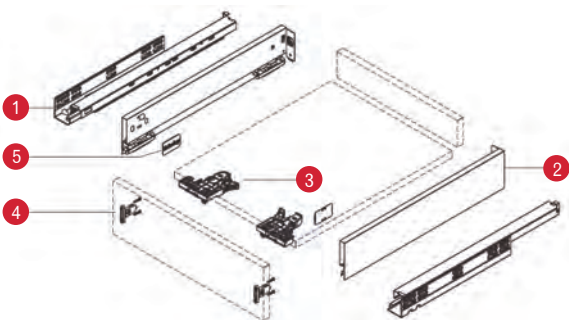
UTA SLIM WALL - 89 DRAWER SERIES

FEATURES

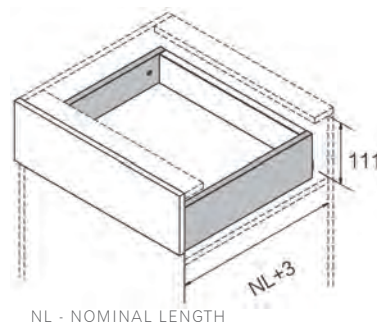
- EXTRA SLENDER SIDE PANEL, MAXIMIZING INTERNAL DRAWER SPACE
- COLOUR WHITE AND GREY
- FULLY SYNCHRONISED MOTION, SMOOTH OPENING AND CLOSING
- QUICK AND EASY ASSEMBLY AND DISMANTLING
- HANDY 3D THREE DIMENTIONAL FRONT ADJUSTMENT
- DYNAMIC LOADING CAPACITY OF **40KG**
- OPTIONAL TILTING ADJUSTMENT



BASIC COMPONENTS



SPACE REQUIREMENTS



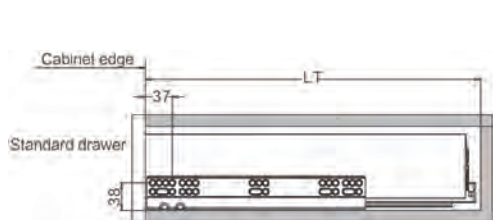
SOLD AS A SET, INCLUDING THE FOLLOWING:

1. SLIDES X 2
2. DRAWER SIDES X 2 (84M)
3. FRONT FIXING CLIPS LEFT AND RIGHT (84M)
4. FRONT FIXING BRACKETS X 2
5. UTA COVER CAPS X 2

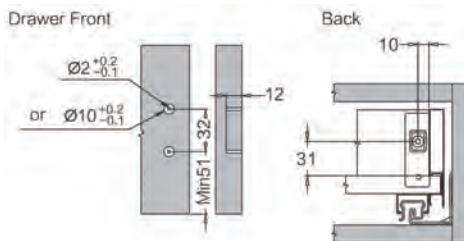
ITEM 786	UTA SLIM WALL 89
SIZE	WHITE 89 X 500MM RIH2209
	GREY 89 X 500MM RIH2210
	• LOAD CAPACITY IS 40KG

INSTALLATION DIMENSIONS (MM)

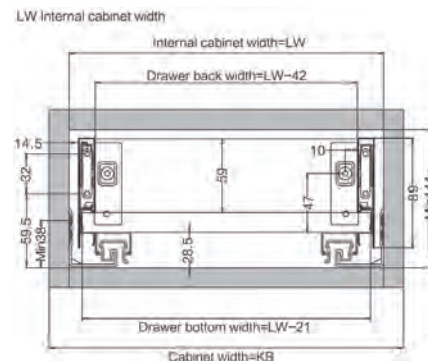
KB - CABINET WIDTH / LW - INTERNAL CABINET WIDTH
NL - NOMINAL LENGTH



DRAWER INSTALLATION DIMENSIONS (MM)

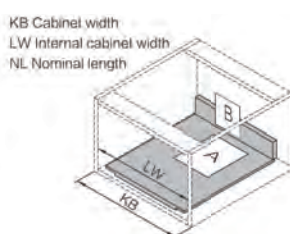
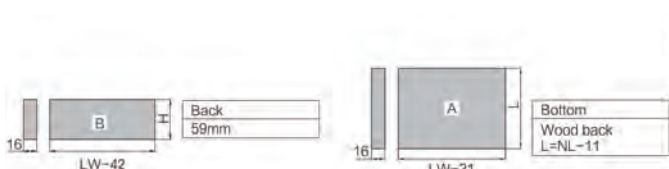


INSTALLATION DIMENSIONS (MM)

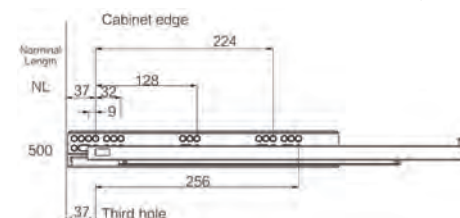


DRAWER BACK AND BOTTOM DIMENSIONS (MM)

KB - CABINET WIDTH / LW - INTERNAL CABINET WIDTH / NL - NOMINAL LENGTH



SCREW POSITIONS OF THE SIDES (MM)





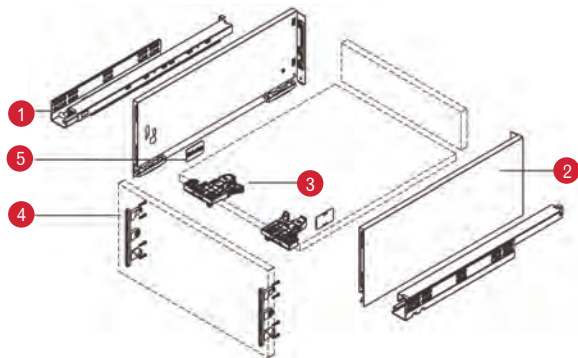
UTA SLIM WALL - 185 DRAWER SERIES

FEATURES

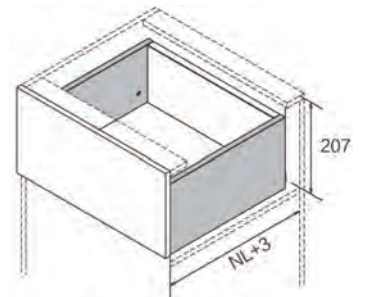
- EXTRA SLENDER SIDE PANEL, MAXIMIZING INTERNAL DRAWER SPACE
- COLOUR WHITE AND GREY
- FULLY SYNCHRONISED MOTION, SMOOTH OPENING AND CLOSING
- QUICK AND EASY ASSEMBLY AND DISMANTLING
- HANDY (3D) THREE DIMENSIONAL FRONT ADJUSTMENT
- DYNAMIC LOADING CAPACITY OF **40KG**
- OPTIONAL TILTING ADJUSTMENT

ITEM 787	UTA SLIM WALL 185		
SIZE	WHITE	185 X 500MM	RIH2211
	GREY	185 X 500MM	RIH2212
	• LOAD CAPACITY IS 40KG		

BASIC COMPONENTS



SPACE REQUIREMENTS

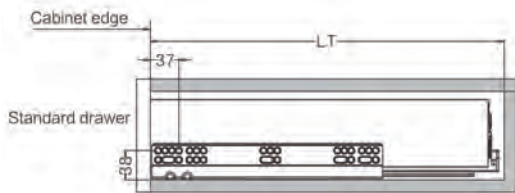


SOLD AS A SET, INCLUDING THE FOLLOWING:

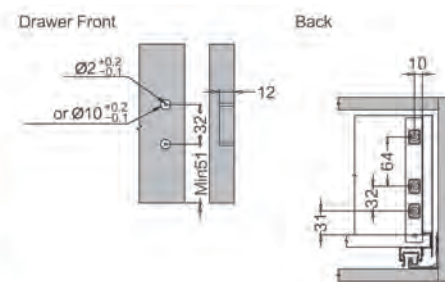
1. SLIDES X 2
2. DRAWER SIDES X 2 (84M)
3. FRONT FIXING CLIPS LEFT AND RIGHT (84M)
4. FRONT FIXING BRACKETS X 2
5. UTA COVER CAPS X 2

INSTALLATION DIMENSIONS (MM)

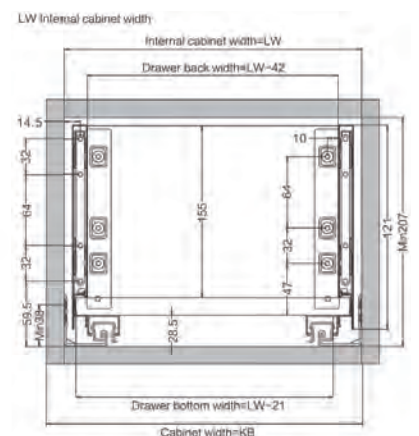
KB - CABINET WIDTH / LW - INTERNAL CABINET WIDTH
NL - NOMINAL LENGTH



DRAWER INSTALLATION DIMENSIONS (MM)

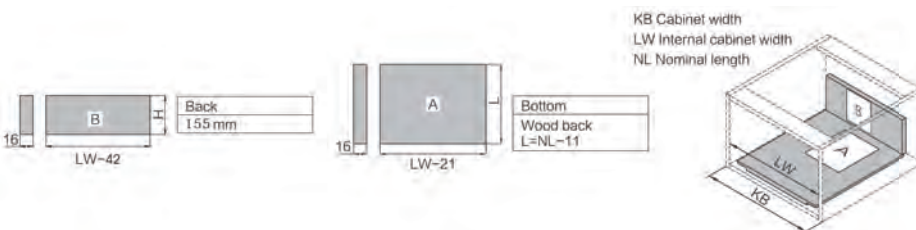


INSTALLATION DIMENSIONS (MM)

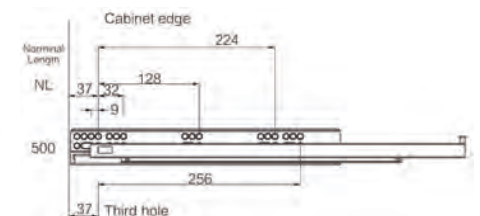


DRAWER BACK AND BOTTOM DIMENSIONS (MM)

KB - CABINET WIDTH / LW - INTERNAL CABINET WIDTH / NL - NOMINAL LENGTH



SCREW POSITIONS OF THE SIDES (MM)





CONTEMPORARY | MODERN | TIMELESS



ITALIANA
FERRAMENTI

FRANKE

ferrari



FFA
FITTINGS FOR AFRICA

Hein
082 553 4502

HANDLES - KNOBS - SINKS - MIXERS - HINGES

21 Zune Street
Magnavia
Polokwane

Tel: 015 004 0198
heloenterprises1@gmail.com